



BAT43W BAT43WS BAT43X BAT43L

Small Signal Schottky Barrier Diode



Features

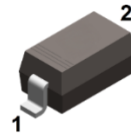
- Fast switching
- Low forward voltage drop
- Ultra-small surface mount package

Applications

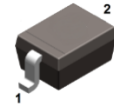
- Schottky barrier detector and switching diodes

Mechanical Data

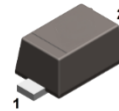
- Case: SOD-123, SOD-323, SOD-523, DFN1006-2
- Molding compound: UL flammability classification rating 94V-0
- Terminals: Tin-plated; solderability per MIL-STD-202, Method 208



BAT43W
SOD-123



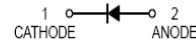
BAT43WS
SOD-323



BAT43X
SOD-523



BAT43L
DFN1006-2



Ordering Information

Part Number	Package	Shipping Quantity	Marking Code
BAT43W	SOD-123	3000 pcs / Tape & Reel	S8
BAT43WS	SOD-323	3000 pcs / Tape & Reel	S8
BAT43X	SOD-523	3000 pcs / Tape & Reel	S8
BAT43L	DFN1006-2	10000 pcs / Tape & Reel	S8

Maximum Ratings (@ T_A = 25°C unless otherwise specified)

Parameter	Symbol	Value	Unit
Peak Repetitive Reverse Voltage	V _{RRM}	30	V
Working Peak Reverse Voltage	V _{RWM}	30	V
DC Reverse Voltage	V _R	30	V
RMS Reverse Voltage	V _{R(RMS)}	21	V
Continuous Forward Current	I _F	100	mA
Repetitive Peak Forward Current	I _{FRM}	500	mA
Peak Forward Surge Current (t _p = 10ms)	I _{FSM}	4	A



BAT43W BAT43WS BAT43X BAT43L

Small Signal Schottky Barrier Diode



Thermal Characteristics

Parameter	Symbol	BAT43W	BAT43WS	BAT43X	BAT43L	Unit
Power Dissipation	P_D	400	200	150	100	mW
Thermal Resistance Junction-to-Air ^{*1}	$R_{\theta JA}$	250	500	667	1000	°C/W
Operating Junction Temperature Range	T_J	-55 ~ +125				°C
Storage Temperature Range	T_{STG}	-55 ~ +150				°C

Electrical Characteristics (@ $T_A = 25^\circ\text{C}$ unless otherwise specified)

Parameter	Symbol	Test Condition	Min.	Typ.	Max.	Unit
Reverse Breakdown Voltage	$V_{(BR)R}$	$I_R = 100\mu\text{A}$	30	-	-	V
Forward Voltage ^{*2}	V_F	$I_F = 2\text{mA}$	0.26	-	0.33	V
		$I_F = 15\text{mA}$	-	-	0.45	V
		$I_F = 200\text{mA}$	-	-	1.00	V
Maximum Peak Reverse Current ^{*3}	I_R	$V_R = 25\text{V}$	-	-	500	nA
Capacitance Between Terminals	C_J	$V_R = 1\text{V}, f = 1\text{MHz}$	-	-	10	pF
Reverse Recovery Time	t_{rr}	$I_F = I_R = 10\text{mA}$ $I_{rr} = 0.1I_R, R_L = 100\Omega$	-	-	5	ns
Rectification efficiency	η_V	$R_L = 15\Omega, C_L = 300\text{pF}$ $f = 45\text{MHz}$	80	-	-	%

Notes:

1. The data tested by surface mounted on FR-4 board with recommended pad layout
2. Pulse test, $t_p \leq 300\mu\text{s}$
3. Pulse test, $t_p \leq 5\text{ms}$

Ratings and Characteristic Curves (@ $T_A = 25^\circ\text{C}$ unless otherwise specified)

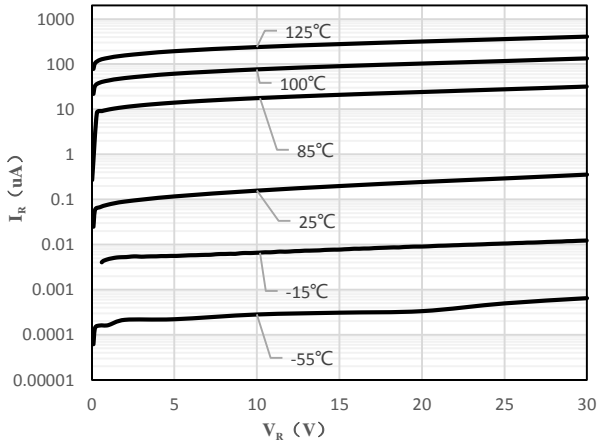


Fig 1 Typical Reverse Characteristic

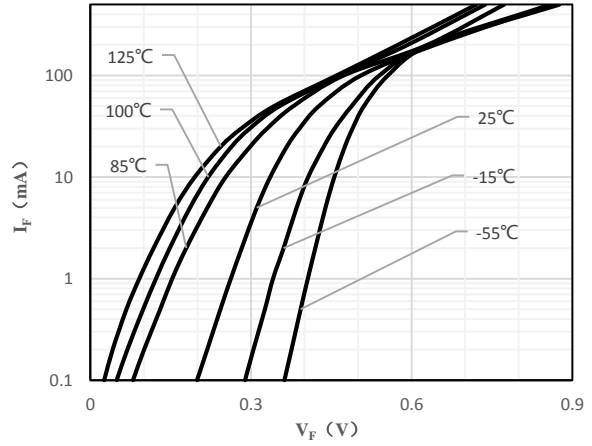


Fig 2 Typical Forward Characteristics

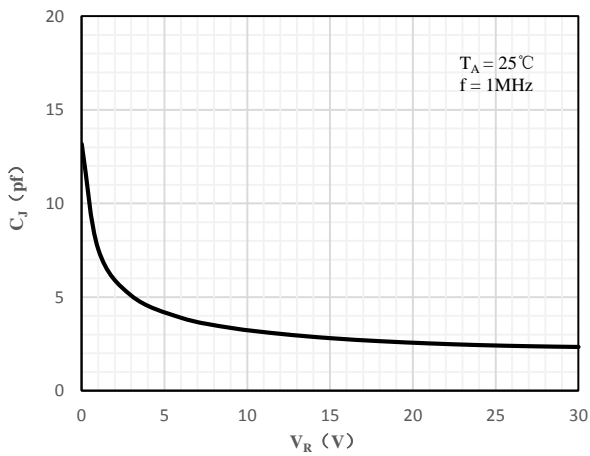


Fig 3 Capacitance Characteristics

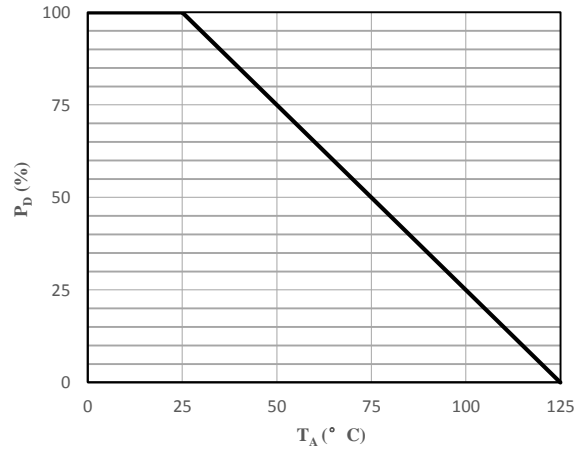
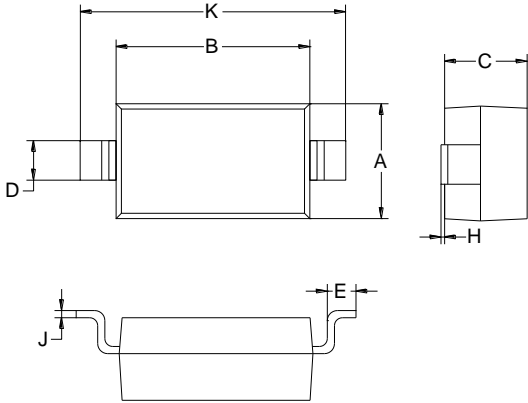


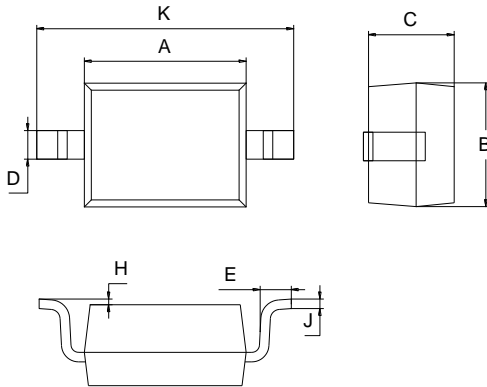
Fig 4 Power Derating Curve



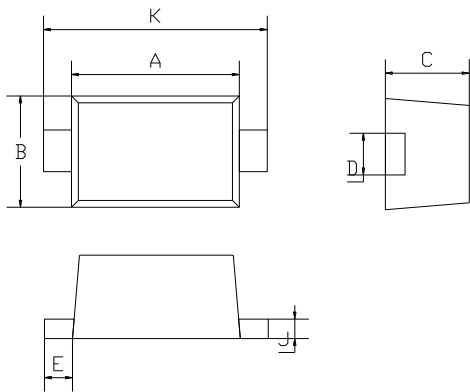
Package Outline Dimensions (Unit: mm)



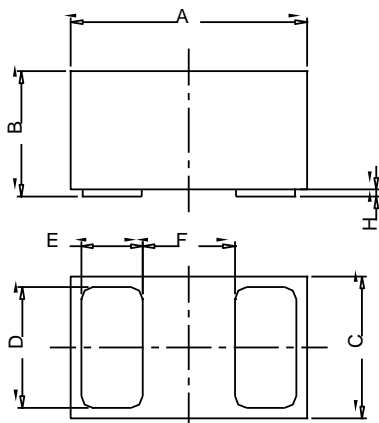
SOD-123		
Dimension	Min.	Max.
A	1.45	1.75
B	2.55	2.85
C	1.00	1.30
D	0.50	0.60
E	0.25	0.45
H	0.02	0.10
J	0.05	0.15
K	3.55	3.85



SOD-323		
Dimension	Min.	Max.
A	1.60	1.80
B	1.20	1.40
C	0.80	0.90
D	0.25	0.35
E	0.22	0.42
H	0.02	0.10
J	0.05	0.15
K	2.55	2.75



SOD-523		
Dimension	Min.	Max.
A	1.10	1.30
B	0.70	0.90
C	0.50	0.70
D	0.25	0.35
E	0.15	0.25
J	0.05	0.15
K	1.50	1.70

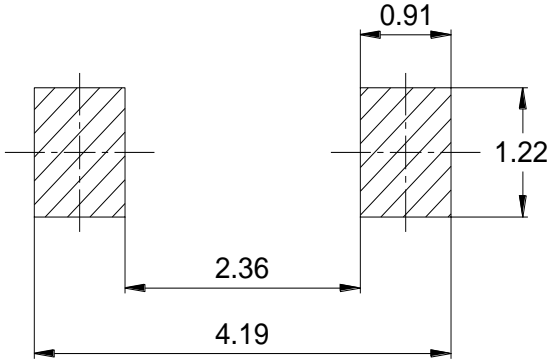


DFN1006-2			
Dimension	Min.	Typ.	Max.
A	0.95	1.00	1.075
B	0.47	0.50	0.53
C	0.55	0.60	0.675
D	0.45	0.50	0.55
E	0.20	0.25	0.30
F	-	0.40	-
H	0	0.03	0.05

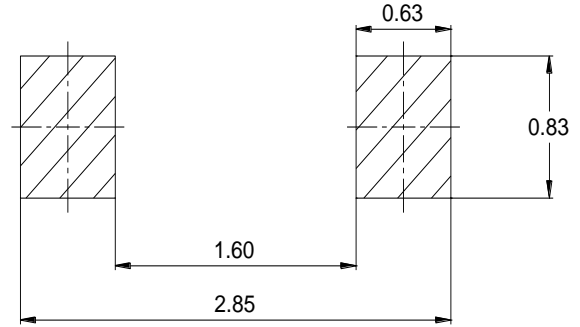


Package Outline Dimensions (Unit: mm)

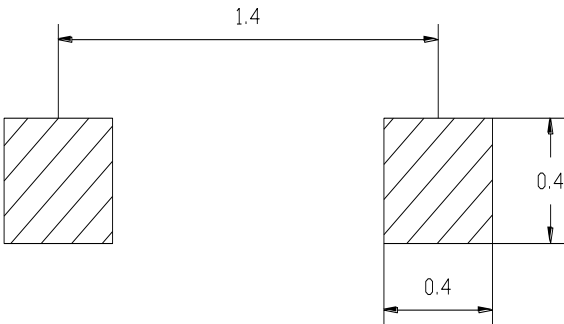
SOD-123



SOD-323



SOD-523



DFN1006-2

