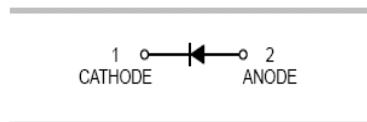




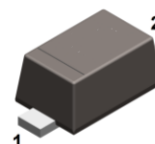
### FEATURES

- High current rectifier schottky diode
- Low voltage; Low inductance
- For power supply



### APPLICATIONS

- High frequency rectification



SOD-523

### ORDERING INFORMATION

Type No.	Marking	Package Code
RB551S-30	D1	SOD-523

### MAXIMUM RATING @ Ta=25°C unless otherwise specified

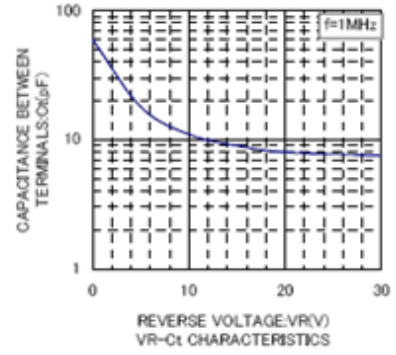
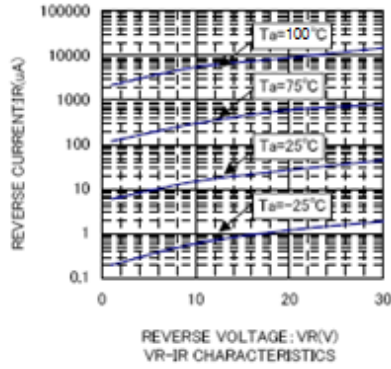
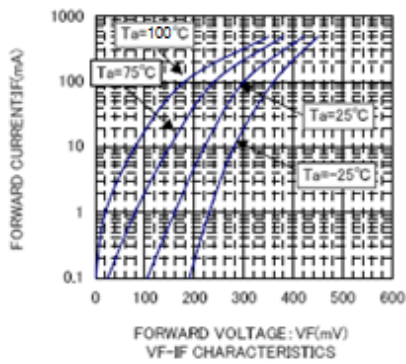
Parameter	Symbol	Limits	Unit
Peak reverse voltage	$V_{RM}$	30	V
DC reverse voltage	$V_R$	20	V
Mean rectifying current	$I_O$	0.5	A
Peak forward surge current	$I_{FSM}$	2	A
Total device dissipation	$P_D$	150	mW
Thermal resistance	$R_{thj-a}$	667	°C/W
Junction temperature	$T_J$	100	°C
Storage temperature	$T_{STG}$	-40 to +125	°C

### ELECTRICAL CHARACTERISTICS @ Ta=25°C unless otherwise specified

Parameter	Symbol	Min.	Typ.	Max.	Unit	Conditions
Forward voltage	$V_F$			0.36 0.47	V	$I_F=100mA$ $I_F=500mA$
Reverse current	$I_R$			100	μA	$V_R=20v$



### TYPICAL CHARACTERISTICS @ Ta=25°C unless otherwise specified

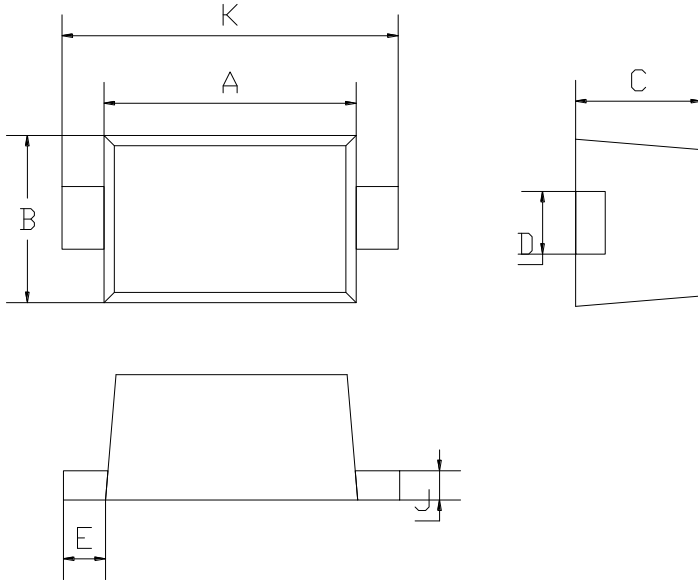




## PACKAGE OUTLINE

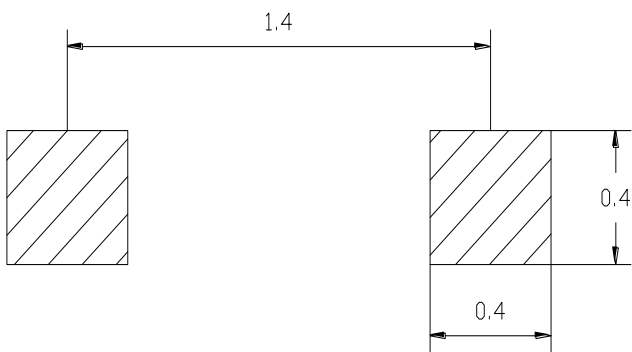
Plastic surface mounted package

SOD-523



SOD-523		
Dim	Min	Max
A	1.10	1.30
B	0.70	0.90
C	0.50	0.70
D	0.25	0.35
E	0.15	0.25
J	0.05	0.15
K	1.50	1.70
All Dimensions in mm		

## SOLDERING FOOTPRINT



Unit: mm

## PACKAGE INFORMATION

Device	Package	Shipping
RB551S-30	SOD-523	3000 pcs / Tape & Reel