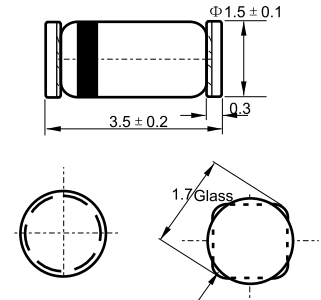




MINI MELF



Dimension in millimeters

Features

- ✧ Ideal for Fast Logic Applications
- ✧ Ultra Fast Switching
- ✧ High Reliability
- ✧ High Conductance

Mechanical Data

- ✧ Case: MiniMELF, Glass
- ✧ Marking: Cathode Band Only
- ✧ Polarity: Cathode Band
- ✧ Weight: 0.12 grams (approx.)

Maximum Ratings and Electrical Characteristics

Rating at 25°C ambient temperature unless otherwise specified.

Maximum Ratings

Characteristic	Symbol	LL4150	Unit
Non-Repetitive Peak Reverse Voltage @ 5.0μA	V_{RM}	75	V
Peak Repetitive Reverse Voltage	V_{RRM}	50	V
Working Peak Reverse Voltage	V_{RWM}		
DC Blocking Voltage	V_R		
RMS Reverse Voltage	$V_{R(RMS)}$	35	V
Forward Continuous Current (Note 1)	I_{FM}	400	mA
Average Rectified Output Current (Note 1)	I_O	200	mA
Repetitive Peak Forward Current (Note 1)	I_{FRM}	600	mA
Non-Repetitive Peak Forward Surge Current @ t ≤ 1.0s @ t = 1.0μs	I_{FSM}	1.0 4.0	A
Power Dissipation (Note 1)	P_d	500	mW
Thermal Resistance, Junction to Ambient Air (Note 1)	$R_{\theta JA}$	300	K/W
Operating and Storage Temperature Range	T_J, T_{STG}	-65 to +200	°C

Electrical Characteristics

Characteristic	Symbol	Min	Max	Unit	Test Condition
Maximum Forward Voltage Drop	V_{FM}	0.54 0.66 0.76 0.82 0.87	0.62 0.74 0.86 0.92 1.00	V	$I_F = 1.0mA$ $I_F = 10mA$ $I_F = 50mA$ $I_F = 100mA$ $I_F = 200mA$
Maximum Peak Reverse Current	I_{RM}	—	100	nA μA	$T_A = 25^\circ C$ $T_A = 150^\circ C$
Junction Capacitance	C_j	—	2.5	pF	$V_R = 0V, f = 1.0MHz$
Reverse Recovery Time	t_{rr}	—	4.0	ns	$I_F = I_R = 200mA,$ $t_{rr} = 0.1 \times I_R, R_L = 100\Omega$
Forward Recovery Time	t_{fr}	—	10	ns	$I_F = 200mA, V_{FR} = 1.0V$

Note: 1. Valid provided that electrodes are kept at ambient temperature.

Package	Reel	Reel Size	Box	Box Size(mm)	Carton	Carton Size(mm)
minimelf	2500pcs	7inch	20000pcs	186×186×105	120,000pcs	443×215×305