

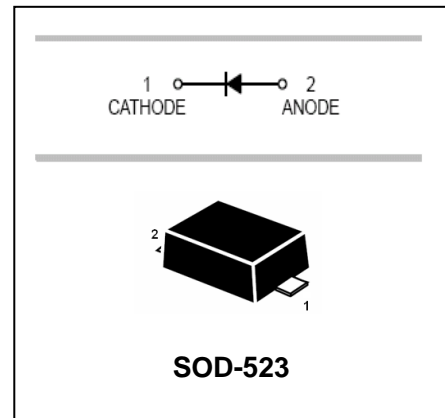
Surface mount switching diode

BAV21WT

FEATURES

- Fast Switching Speed
- Surface Mount Package Ideally Suited For Automatic Insertion
- For General Purpose Switching Applications
- Epitaxial planar die construction

HF



APPLICATIONS

- Surface mount fast switching diode.

ORDERING INFORMATION

Type No.	Marking	Package Code
BAV21WT	T3	SOD-523

MAXIMUM RATING @ Ta=25°C unless otherwise specified

Characteristic	Symbol	BAV21WT	Unit
Non-Repetitive Peak Reverse Voltage	V_{RM}	250	V
Peak Repetitive Reverse Voltage	V_{RRM}		
Working Peak Reverse Voltage	V_{RWM}	200	V
DC Reverse Voltage	V_R		
RMS Reverse Voltage	$V_{R(RMS)}$	141	V
Average Rectified Output Current	I_o	200	mA
Non-Repetitive Peak Forward Surge Current			
@t=1.0 ms	I_{FSM}	2.5	A
@t=1.0 s		0.5	
Power Dissipation	P_D	150	mW
Thermal Resistance Junction to Ambient Air	$R_{\theta JA}$	833	°C/W
Operating and Storage Temperature Range	T_J, T_{STG}	-65 to +150	°C

Surface mount switching diode

BAV21WT

ELECTRICAL CHARACTERISTICS @ Ta=25°C unless otherwise specified

Characteristic	Symbol	Min	Max	Unit	Test Condition
Reverse Breakdown Voltage	$V_{(BR)R}$	250		V	$I_R=100\mu A$
Maximum Forward Voltage	V_{F1}	-	1.0	V	$I_F=100mA$
	V_{F2}	-	1.25		$I_F=200mA$
Reverse Current	I_R	-	0.1	μA	$V_R=200V$
Junction Capacitance	C_j	-	5.0	pF	$V_R=0, f=1.0MHz$
Reverse Recovery Time	t_{rr}	-	50	ns	$I_F=I_R=30mA,$ $I_{rr}=0.1 \times I_R, R_L=100\Omega$

TYPICAL CHARACTERISTICS @ Ta=25°C unless otherwise specified

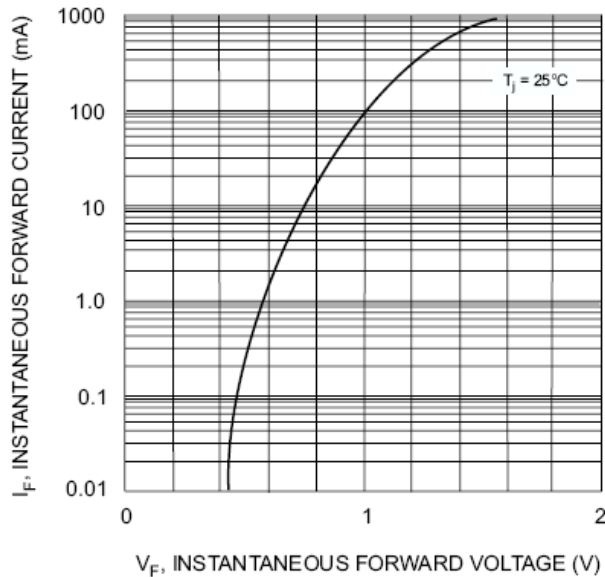


Fig. 1 Forward Characteristics

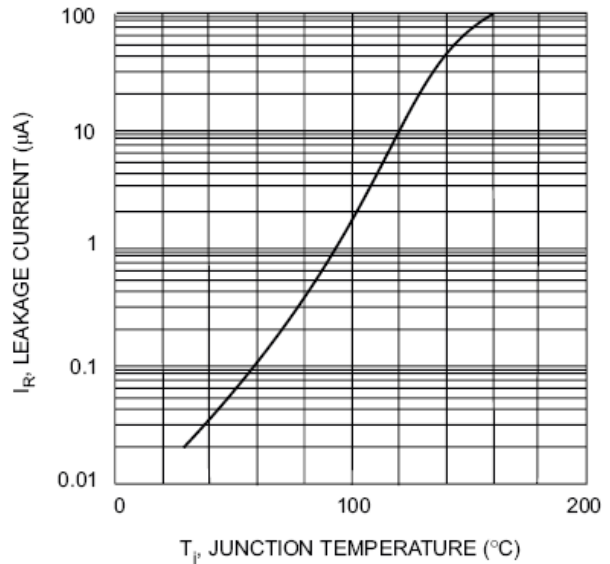


Fig. 2 Leakage Current vs Junction Temperature

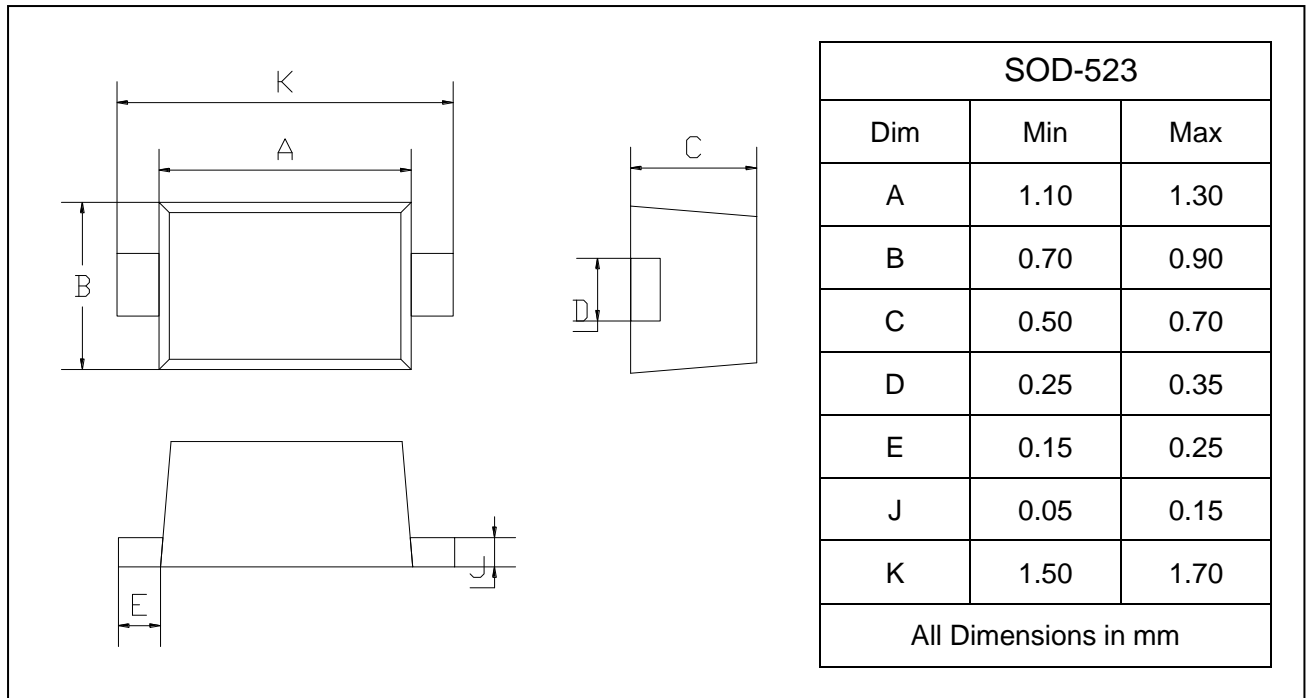
Surface mount switching diode

BAV21WT

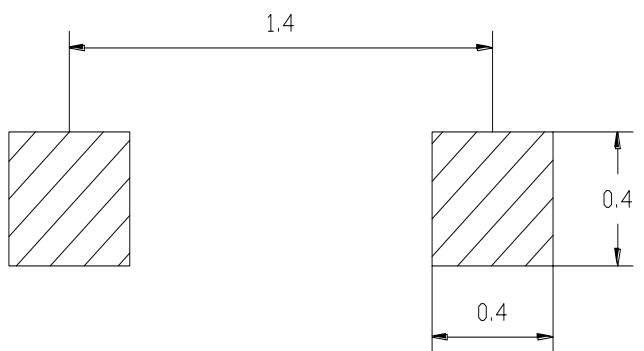
PACKAGE OUTLINE

Plastic surface mounted package

SOD-523



SOLDERING FOOTPRINT



Unit: mm

PACKAGE INFORMATION

Device	Package	Shipping
BAV21WT	SOD-523	3000 pcs / Tape & Reel