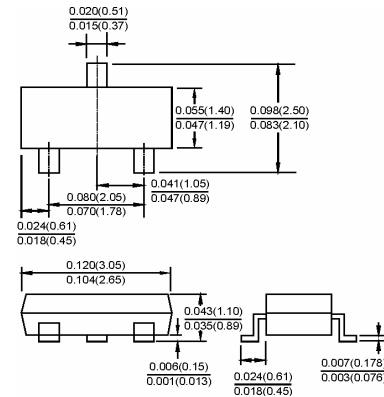

**SOT-23**


Dimensions in inches and (millimeters)

**Features**

- ✧ For high-speed switching application.
- ✧ Common cathode.

**Applications**

- ✧ Small signal switching

**Ordering Information**

Type No.	Marking	Package Code
BAV74	JA	SOT-23

**MAXIMUM RATING @ Ta=25°C unless otherwise specified**

Parameter	Symbol	Limits	Unit
Diode reverse voltage	$V_R$	50	V
Peak Reverse Voltage	$V_{RM}$	50	V
Forward Current	$I_F$	200	mA
Surge forward current, $t=1\mu s$	$I_{FS}$	4.5	A
Total Power Dissipation $T_s=35^\circ C$	$P_{tot}$	250	mW
Junction temperature	$T_j$	150	°C
Storage temperature range	$T_{stg}$	-65+150	°C

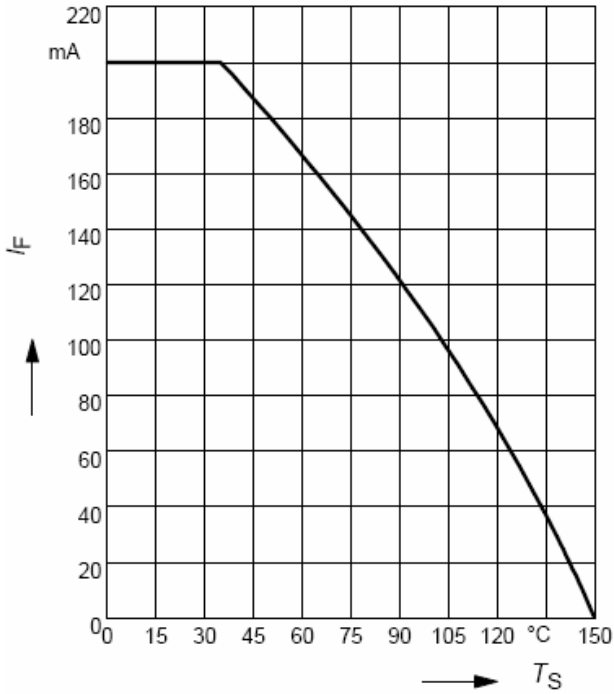
**ELECTRICAL CHARACTERISTICS @ Ta=25°C unless otherwise specified**

Parameter	Symbol	Test conditions	MIN	MAX	UNIT
Reverse breakdown voltage	$V_{(BR)R}$	$I_R=100\mu A$	50		V
Reverse voltage leakage current	$I_R$	$V_R=50V$ $V_R=50V T_A=150^\circ C$		0.1 100	$\mu A$
Forward voltage	$V_F$	$I_F=100mA$		1	V
Diode capacitance	$C_D$	$V_R=0V, f=1MHz$		2.0	pF
Reverse recovery time	$t_{rr}$	$I_F=I_R=10mA, I_R=1mA,$ $R_L=100\Omega$		4	nS

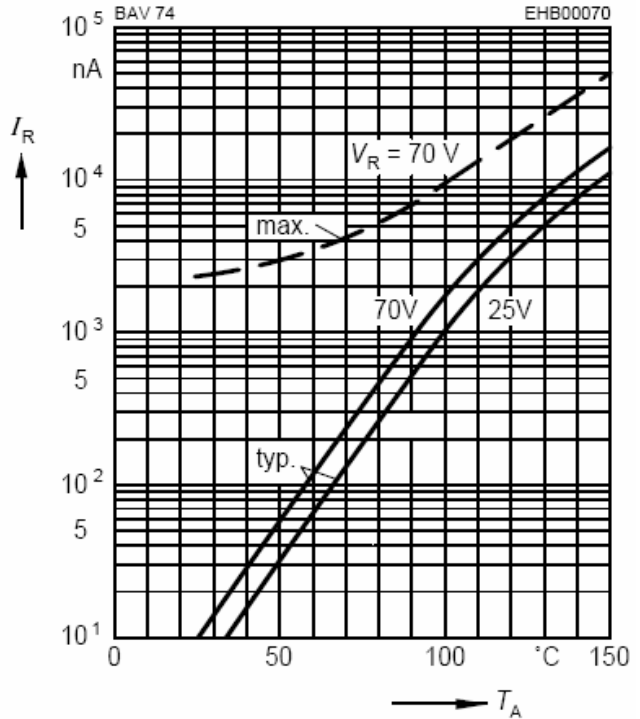


TYPICAL CHARACTERISTICS @  $T_a=25^\circ\text{C}$  unless otherwise specified

**Forward current  $I_F = f(T_S)$**

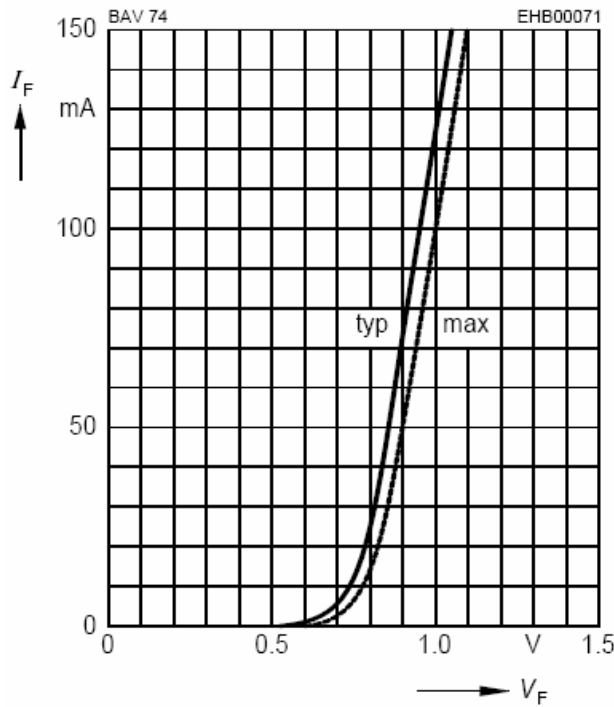


**Reverse current  $I_R = f(T_A)$**



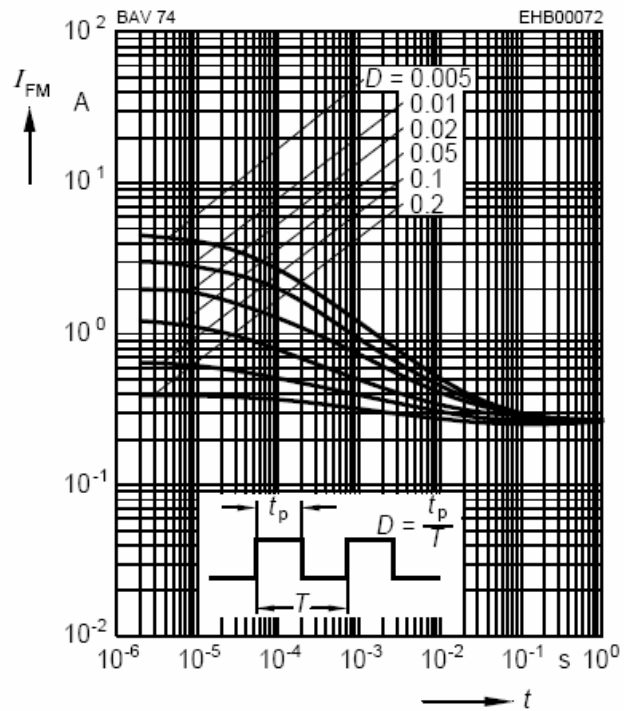
**Forward current  $I_F = f(V_F)$**

$T_A = 25^\circ\text{C}$



**Peak forward current  $I_{FM} = f(t_p)$**

$T_A = 25^\circ\text{C}$



PACKAGE	SPQ/PCS	CARTON SPQ/PCS	CARTON SIZE/CM	CARTON GW/KG	CARTON NW/KG
SOT-23	3000/REEL	90000	40X20X22	5.00	4.00