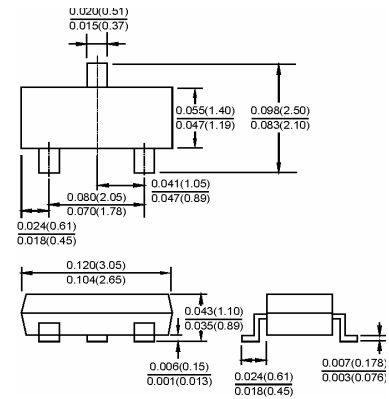

SOT-23


Dimensions in inches and (millimeters)

Features

- ✧ High conductance.
- ✧ Fast switching.
- ✧ Surface mount package ideally suited for automatic insertion.

Applications

- ✧ For general purpose and switching application.

Ordering Information

Type No.	Marking	Package Code
MMBD6100	T4*	SOT-23

MAXIMUM RATING @ Ta=25°C unless otherwise specified

Characteristic	Symbol	Limits	Unit
Continuous Reverse Voltage	V_R	70	V
Average rectified output current	I_O	200	mA
Peak surge forward Current, $t < 1.0\mu s$	I_{FSM}	2.0	A
Power Dissipation	P_d	350	mW
Operating Junction Temperature Range	T_j	150	°C
Storage Temperature Range	T_{STG}	-65 to +150	°C

ELECTRICAL CHARACTERISTICS @ Ta=25°C unless otherwise specified

Characteristic	Symbol	Min	MAX	UNIT	Test Condition
Reverse Breakdown Voltage	$V_{(BR)R}$	70		V	$I_R = 100\mu A$
Forward Voltage	V_F	0.55 0.85	0.7 1.1	V	$I_F = 1mA$ $I_F = 100mA$
Reverse Leakage Current	I_R		0.1	μA	$V_R = 50V$
Junction Capacitance	C_j		2.5	pF	$V_R = 0V, f = 1MHz$
Reverse Recovery Time	t_{rr}		4	ns	$I_F = I_R = 10mA$ $R_L = 100\Omega$



TYPICAL CHARACTERISTICS @ $T_a=25^\circ\text{C}$ unless otherwise specified

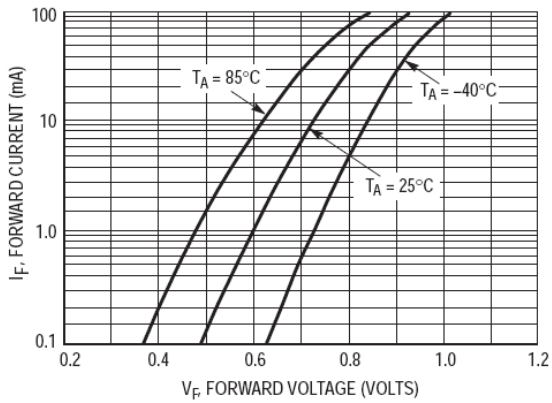


Figure 1. Forward Voltage

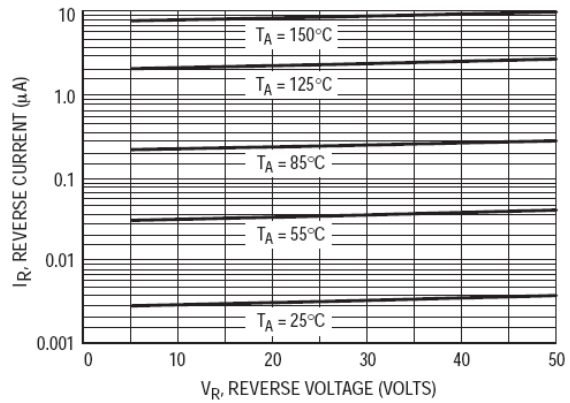


Figure 2. Leakage Current

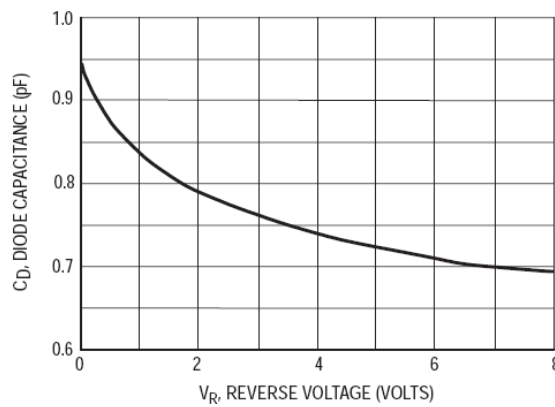


Figure 3. Capacitance

PACKAGE	SPQ/PCS	CARTON SPQ/PCS	CARTON SIZE/CM	CARTON GW/KG	CARTON NW/KG
SOT-23	3000/REEL	90000	40X20X22	5.00	4.00