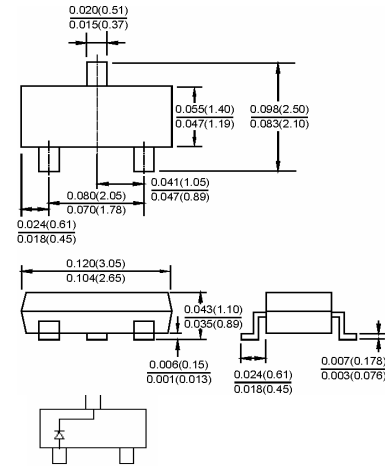


### SOT-23



Dimensions in inches and (millimeters)

## Features

- ◇ Surface mount package ideally suited for automatic insertion.

## Applications

- ◇ Sourced from process GD.

## Ordering Information

Type No.	Marking	Package Code
MMBD301	4T	SOT-23

### MAXIMUM RATING @ Ta=25°C unless otherwise specified

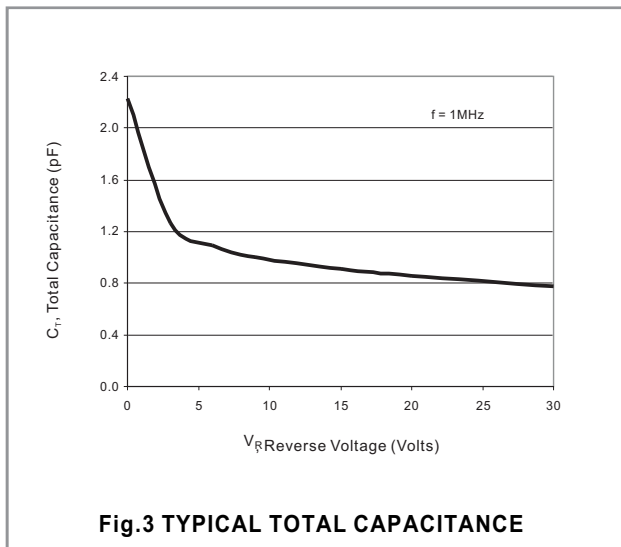
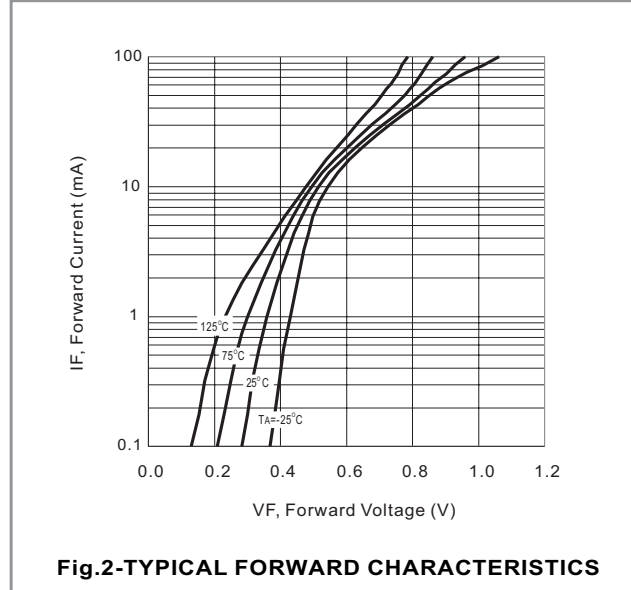
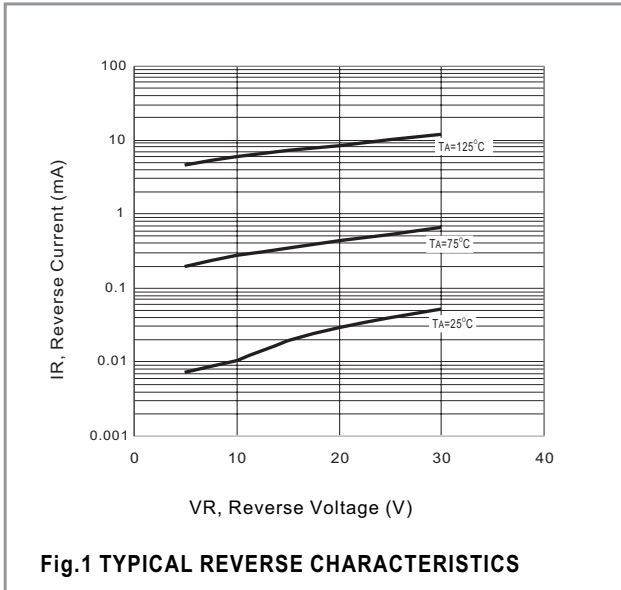
Characteristic	Symbol	Limits	Unit
DC Reverse Voltage	$V_R$	30	V
Power Dissipation	$P_d$	200	mW
Operating Junction Temperature Range	$T_j$	150	°C
Storage Temperature Range	$T_{STG}$	-55 to +150	°C

### ELECTRICAL CHARACTERISTICS @ Ta=25°C unless otherwise specified

Characteristic	Symbol	Min.	TYP.	MAX	UNIT	Test Condition
Reverse Breakdown Voltage	$V_{(BR)R}$	30			V	$I_R=10\mu A$
Forward Voltage	$V_F$			450 600	mV	$I_F=1.0mA$ $I_F=10mA$
Reverse Current	$I_R$			0.2	$\mu A$	$V_R=25V$
Diode Capacitance	$C_D$			1.5	pF	$V_R=15V, f=1.0MHz$



## RATING AND CHARACTERISTIC CURVES



PACKAGE	SPQ/PCS	CARTON SPQ/PCS	CARTON SIZE/CM	CARTON GW/KG	CARTON NW/KG
SOT-23	3000/REEL	90000	40X20X22	5.00	4.00