



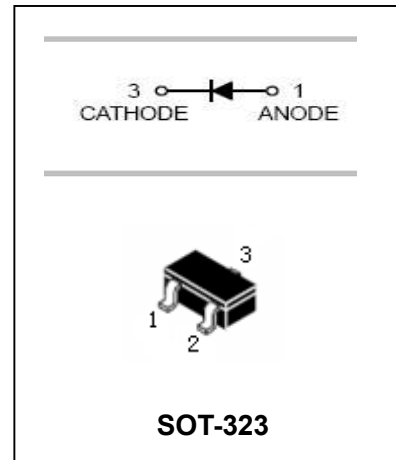
FEATURES

- Small total capacitance.
- Power dissipation.($P_D=150mW$)

APPLICATIONS

- For general purpose applications.

ORDERING INFORMATION



Type No.	Marking	Package Code
RB461F	3B	SOT-323

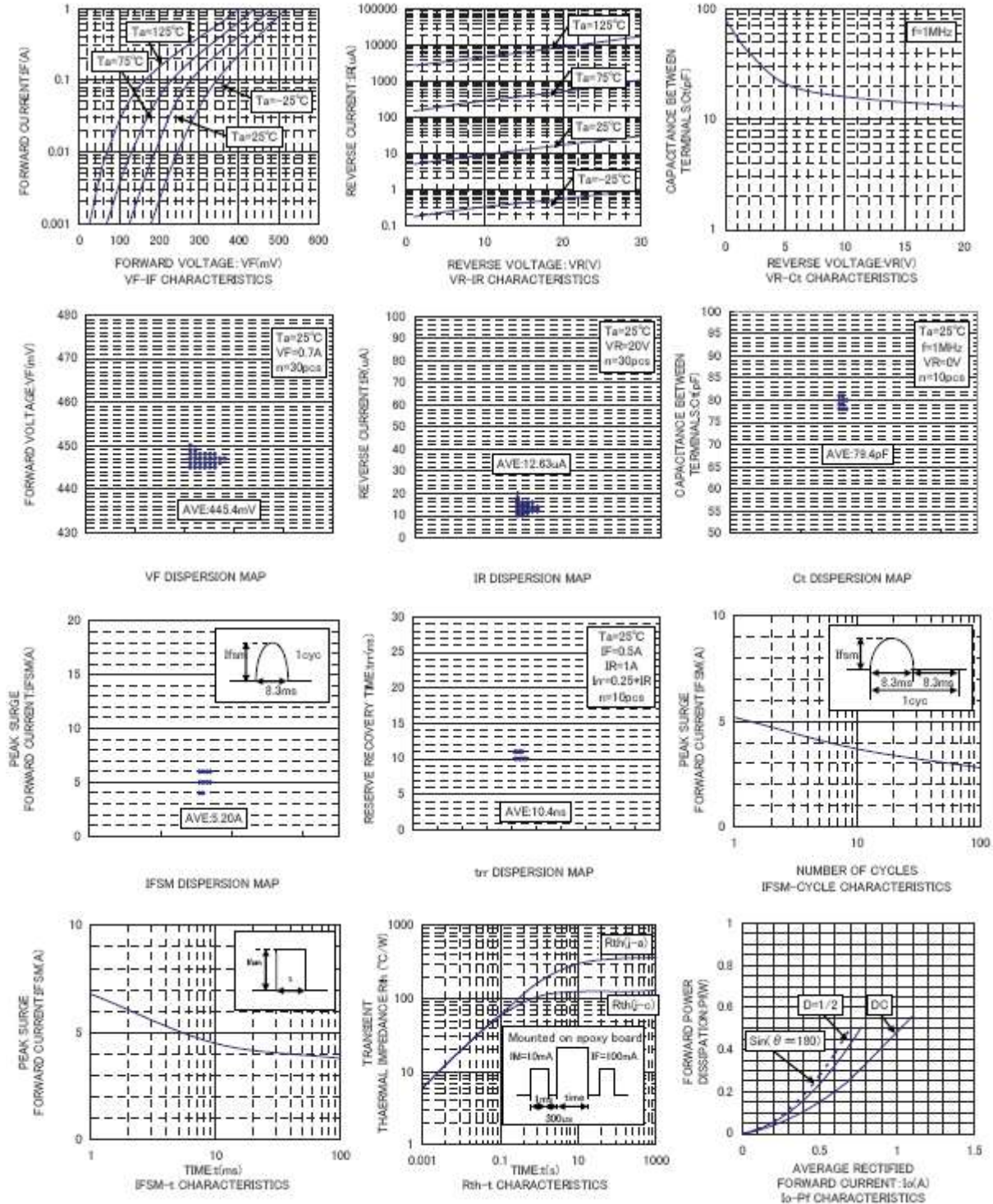
MAXIMUM RATING @ Ta=25°C unless otherwise specified

Parameter	Symbol	Limits	Unit
Diode reverse voltage	V_R	20	V
Forward continuous Current	I_F	700	mA
Power Dissipation	P_d	150	mW
Junction temperature	T_j	150	°C
Storage temperature range	T_{stg}	-55 to +150	°C

ELECTRICAL CHARACTERISTICS @ Ta=25°C unless otherwise specified

Parameter	Symbol	Test conditions	MIN	Typ.	MAX	UNIT
Reverse breakdown voltage	$V_{(BR)R}$	$I_R=1mA$	20			V
Reverse current	I_R	$V_R=20V$			200	μA
Forward voltage	V_F	$I_F=700mA$			0.49	V

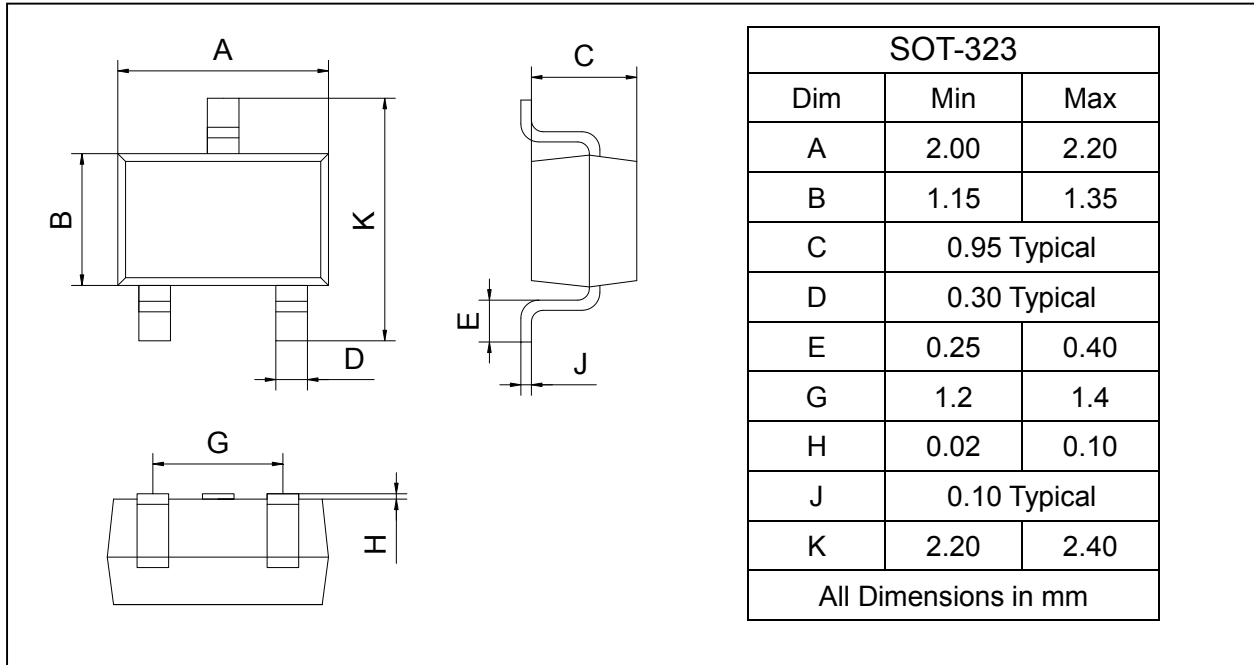
TYPICAL CHARACTERISTICS @ Ta=25°C unless otherwise specified



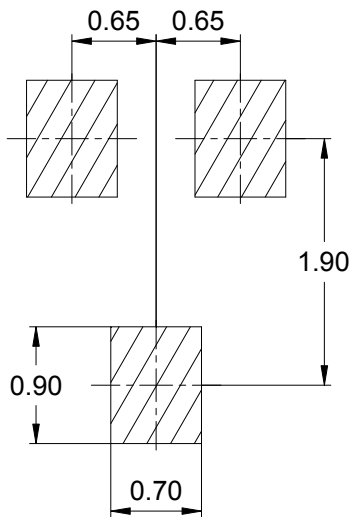
PACKAGE OUTLINE

Plastic surface mounted package

SOT-323



SOLDERING FOOTPRINT



PACKAGE INFORMATION

Device	Package	Shipping
RB461F	SOT-323	3000/Tape&Reel