

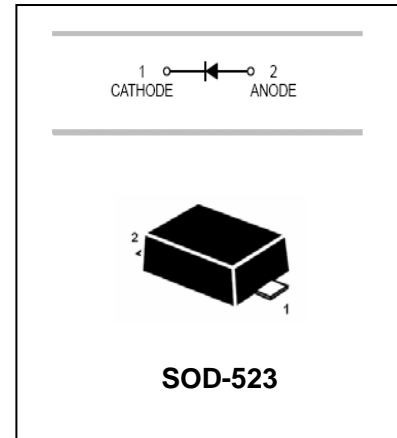


FEATURES

- Low reverse current and low forward voltage.
- High reliability.
- Small surface mounting type.

APPLICATIONS

- Low current rectification and high speed switching.



ORDERING INFORMATION

Type No.	Marking	Package Code
RB751S-30	5	SOD-523

MAXIMUM RATING @ Ta=25°C unless otherwise specified

Parameter	Symbol	Limits	Unit
DC reverse voltage	V_R	30	V
Mean rectifying current	I_O	30	mA
Peak forward surge current	I_{FSM}	200	mA
Junction temperature	T_j	125	°C
Storage temperature	T_{stg}	-40-125	°C

ELECTRICAL CHARACTERISTICS @ Ta=25°C unless otherwise specified

Parameter	Symbol	Min.	Typ.	Max.	Unit	Conditions
Forward voltage	V_F			0.37	V	$I_F=1mA$
Reverse current	I_R			0.5	μA	$V_R=30V$
Capacitance between terminals	C_T		2		pF	$V_R=1V, f=1MHz$

TYPICAL CHARACTERISTICS @ Ta=25°C unless otherwise specified

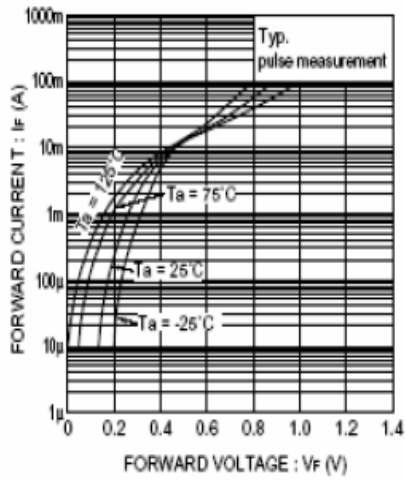


Fig. 1 Forward characteristics

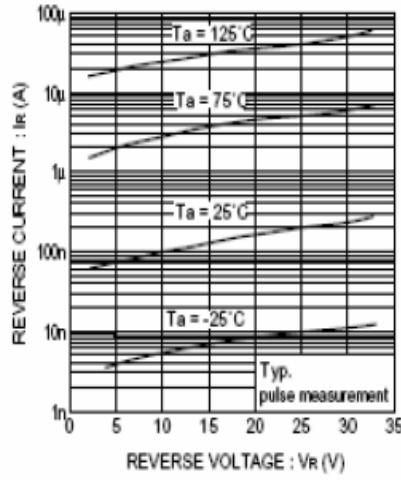


Fig. 2 Reverse characteristics

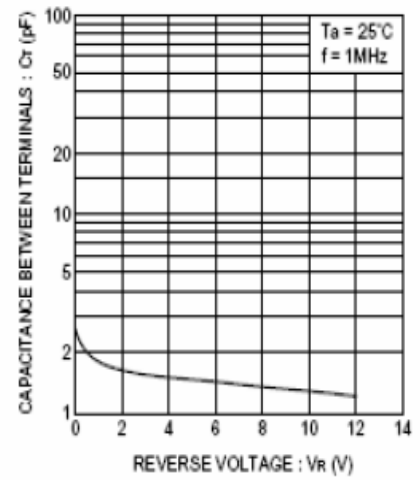
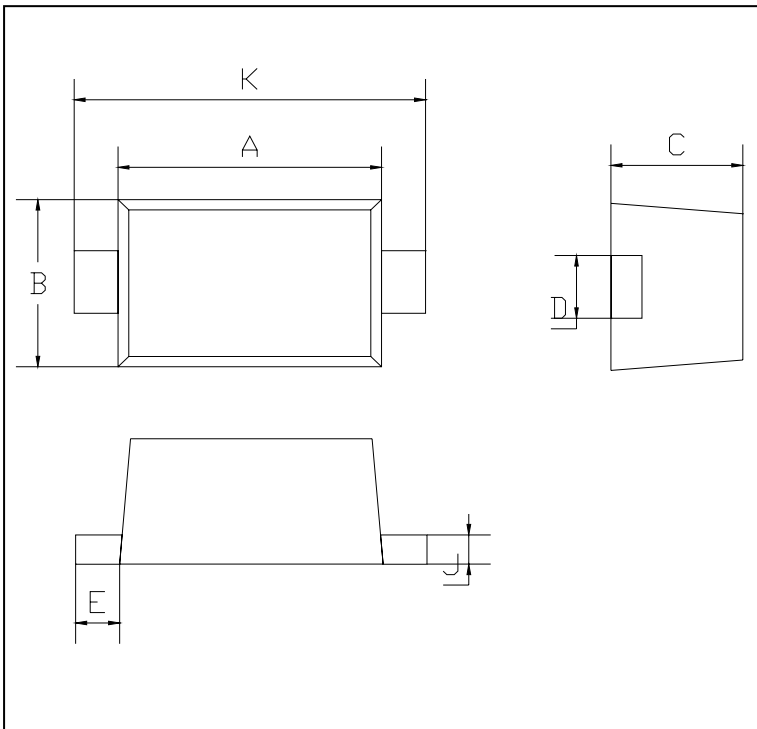


Fig. 3 Capacitance between terminals characteristics

PACKAGE OUTLINE

Plastic surface mounted package

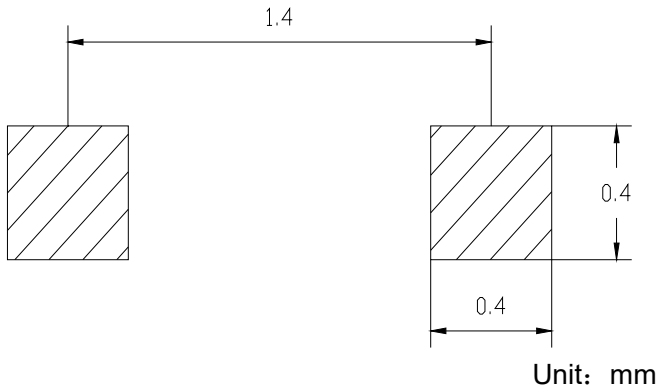
SOD-523



SOD-523		
Dim	Min	Max
A	1.1	1.3
B	0.7	0.9
C	0.5	0.7
D	0.25	0.35
E	0.15	0.25
J	0.1 Typical	
K	1.5	1.7
All Dimensions in mm		



SOLDERING FOOTPRINT



PACKAGE INFORMATION

Device	Package	Shipping
RB751S-30	SOD-523	3000/Tape&Reel