

Features

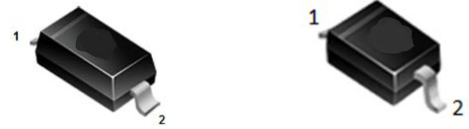
- High reliability
- Small surface mounting type
- Low reverse current and low forward voltage

Application

- Low current rectification

Mechanical Data

- Case: SOD-123, SOD-323, SOD-523, DFN1006-2
- Molding Compound: UL Flammability Classification Rating 94V-0
- Terminals: Matte tin-plated leads; solderability-per MIL-STD-202, Method 208



RB751W-40
SOD-123

RB751V-40
SOD-323



RB751S-40
SOD-523



RB751L-40
DFN1006-2



Ordering Information

Part Number	Package	Shipping Quantity	Marking Code
RB751W-40	SOD-123	3000pcs / Tape & Reel	5
RB751V-40	SOD-323	3000pcs / Tape & Reel	5
RB751S-40	SOD-523	3000pcs / Tape & Reel	5
RB751L-40	DFN1006-2	10000pcs / Tape & Reel	5

Maximum Ratings (@ T_A = 25°C unless otherwise specified)

Parameter	Symbol	Value	Unit
Peak Repetitive Reverse Voltage	V _{RRM}	41	V
DC Reverse Voltage	V _R	40	V
Maximum Average Forward Output Current	I _{F(AV)}	30	mA
Peak Forward Surge Current (8.3ms single half sine-wave)	I _{FSM}	0.5	A

Thermal Characteristics

Parameter	Symbol	RB751W-40	RB751V-40	RB751S-40	RB751L-40	Unit
Power Dissipation	P _D	250	200	150	100	mW
Thermal Resistance Junction-to-Air	R _{θja} ^{**1}	400	500	667	1000	°C/W
Operating junction Temperature	T _J	125				°C
Storage Temperature Range	T _{STG}	-40 ~ +150				°C



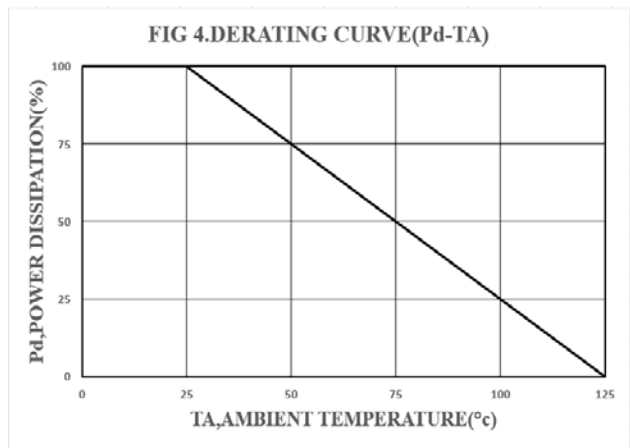
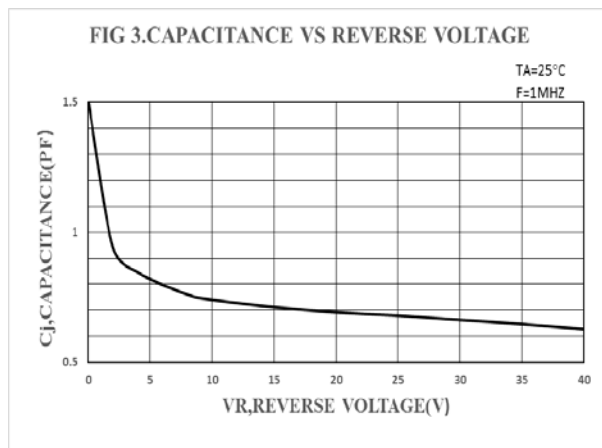
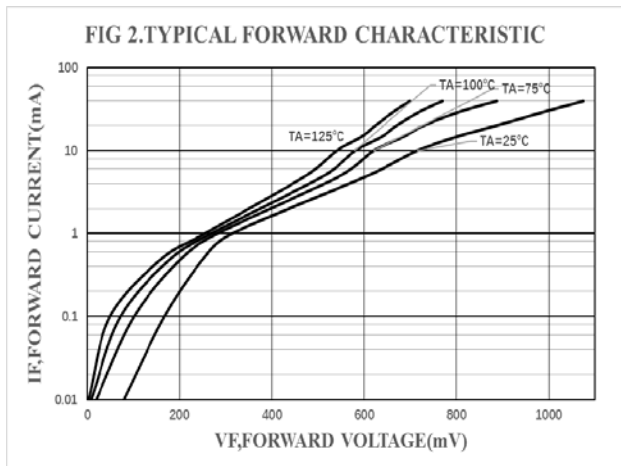
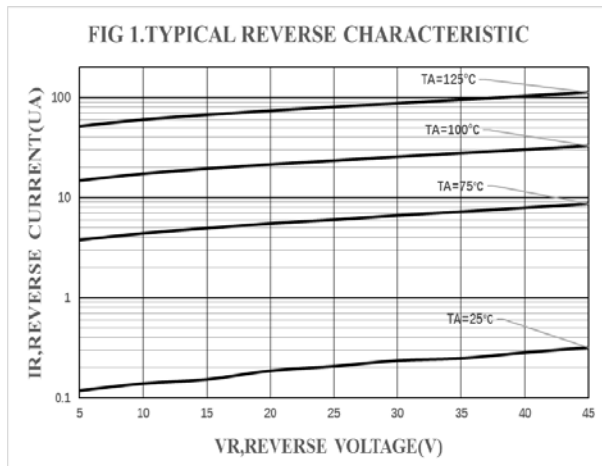
Electrical Characteristics (@ $T_A = 25^\circ\text{C}$ unless otherwise specified)

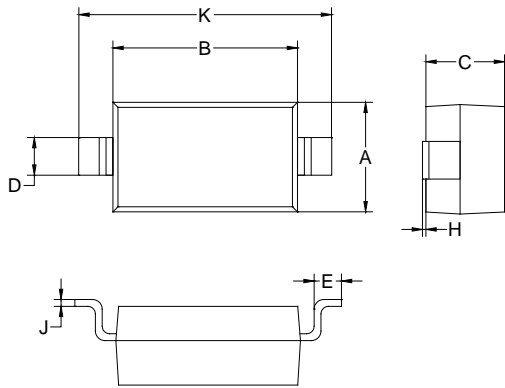
Parameter	Symbol	Test Condition	Min.	Typ.	Max.	Unit
Forward Voltage	V_F^{*2}	$I_F = 1\text{mA}$	-	-	0.37	V
Maximum Peak Reverse Current	I_R^{*3}	$V_R = 30\text{V}$	-	-	0.5	μA
Typical Junction Capacitance	C_J	$V_R = 1\text{V}, f = 1\text{MHz}$	-	1.2	-	pF

Notes:

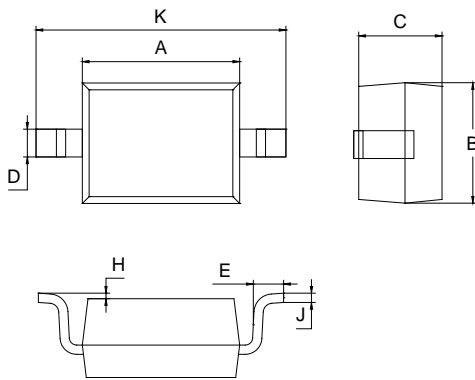
1. Part mounted on FR-4 board with recommended pad layout
2. Pulse width $\leq 380\mu\text{s}$, Duty cycle $< 2\%$
3. pulse test, $t_p \leq 5\text{ms}$

Ratings and Characteristic Curves (@ $T_A = 25^\circ\text{C}$ unless otherwise specified)

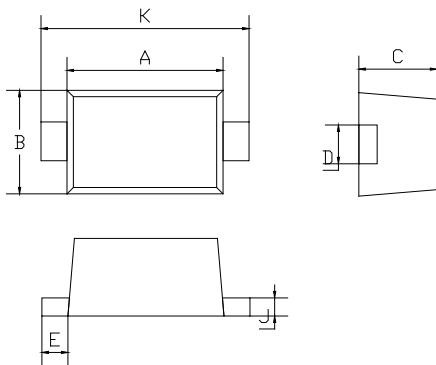


Package Outline Dimensions (Unit: mm)


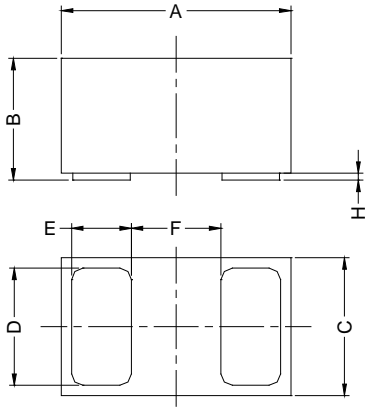
SOD-123		
Dimension	Min.	Max.
A	1.45	1.75
B	2.55	2.85
C	1.00	1.30
D	0.50	0.60
E	0.25	0.45
H	0.02	0.10
J	0.05	0.15
K	3.55	3.85



SOD-323		
Dimension	Min.	Max.
A	1.60	1.80
B	1.20	1.40
C	0.80	0.90
D	0.25	0.35
E	0.22	0.42
H	0.02	0.10
J	0.05	0.15
K	2.55	2.75



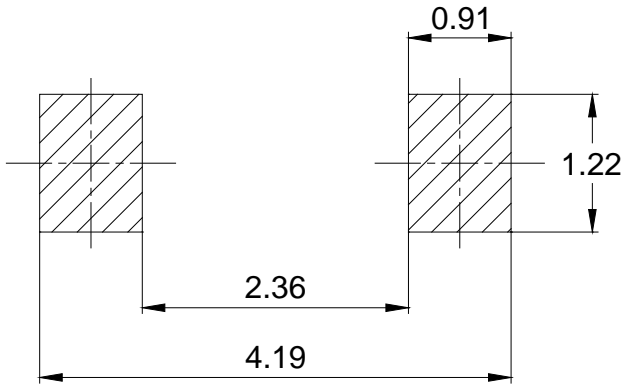
SOD-523		
Dimension	Min.	Max.
A	1.10	1.30
B	0.70	0.90
C	0.50	0.70
D	0.25	0.35
E	0.15	0.25
J	0.05	0.15
K	1.50	1.70



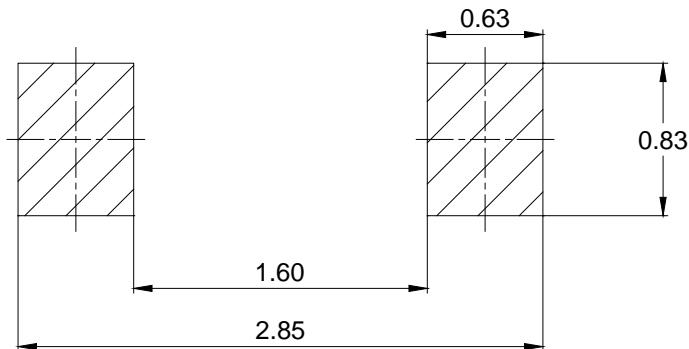
DFN1006-2			
Dimension	Min.	Typ.	Max.
A	0.95	1.00	1.075
B	0.47	0.50	0.53
C	0.55	0.60	0.675
D	0.45	0.50	0.55
E	0.20	0.25	0.30
F	-	0.40	-
H	0	0.03	0.05

Mounting Pad Layout (Unit: mm)

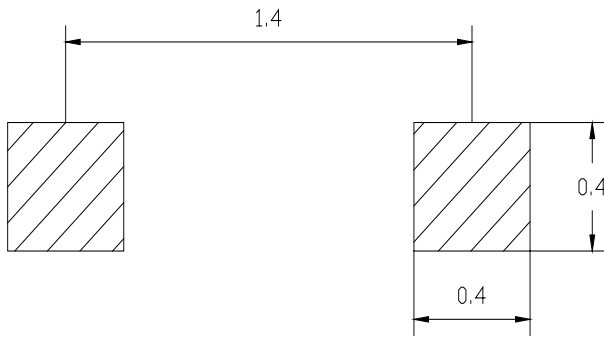
SOD-123



SOD-323



SOD-523



DFN1006-2

