



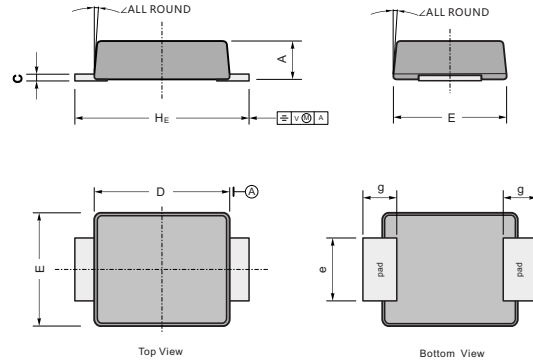
REVERSE VOLTAGE: 20 - 100 V
FORWARD CURRENT: 1.0 A

Features

- ◇ Schottky barrier rectifier
- ◇ Guardring protection
- ◇ Low forward voltage
- ◇ Reverse energy tested
- ◇ High current capability
- ◇ Extremely low thermal resistance

Mechanical Data

- ◇ Case: SMBF molded plastic body
- ◇ Polarity: Color band denotes cathode end
- ◇ Mounting position: ANY



UNIT		A	C	D	E	H _E	e	g	∠
mm	max	1.3	0.26	4.4	3.7	5.5	2.2	1.0	9°
	min	1.1	0.18	4.2	3.5	5.1	1.9		
mil	max	51	10	173	146	216	86	40	
	min	43	7	165	138	200	75		

MAXIMUM RATINGS AND ELECTRICAL CHARACTERISTICS

Ratings at 25°C ambient temperature unless otherwise specified

Parameter		SS12BF	SS13BF	SS14BF	SS15BF	SS16BF	SS18BF	SS19BF	SS110BF	SS115BF	SS120BF	UNITS
Marking code		SS12F	SS13F	SS14F	SS15F	SS16F	SS18F	SS19F	SS110F	SS115F	SS120F	
Maximum repetitive peak reverse voltage	V _{RRM}	20	30	40	50	60	80	90	100	150	200	V
Maximum RMS voltage	V _{RWS}	14	21	28	35	42	56	63	70	105	140	V
Maximum DC blocking voltage	V _{DC}	20	30	40	50	60	80	90	100	150	200	V
Maximum average forward rectified current at T _L =90°C	I _{F(AV)}	1.0										A
Peak forward surge current 8.3ms single half-sine-wave	I _{FSM}	40										A
Maximum instantaneous forward voltage at I _{FM} =1.0A (NOTE1)	V _F	0.55			0.70		0.85					V
Maximum DC reverse current T _J =25°C at rated DC blocking voltage T _J =125°C	I _R	0.2					0.1					mA
		6.0					5.0					
Maximum thermal resistance	R _{θJL}	28										°C/W
Operating temperature range	T _J	-55 ---- +150					-55 ---- +175					°C
Storage temperature range	T _{STG}	-55 ---- +150					-55 ---- +175					°C

NOTE: 1.Pulse test: Pulse width 300us,duty cycle 1 %



Ratings AND Characteristic Curves

FIG.1 – FORWARD DERATING CURVE

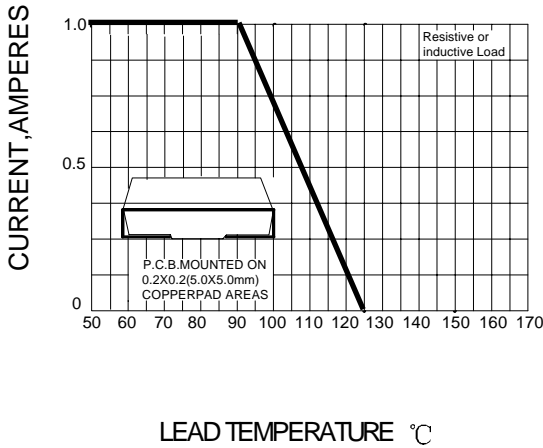


FIG.2 – PEAK FORWARD SURGE CURRENT

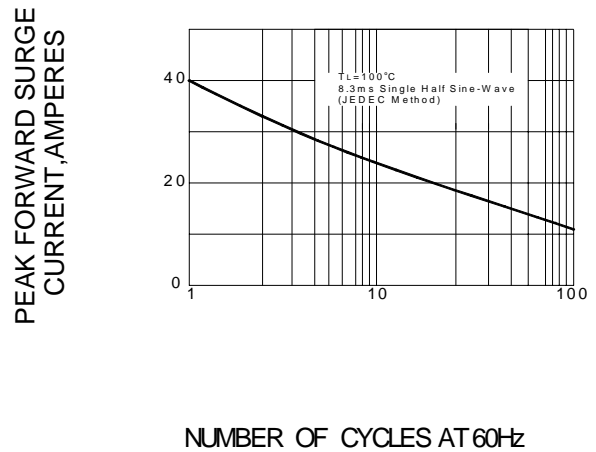


FIG.3 – TYPICAL FORWARD CHARACTERISTICS

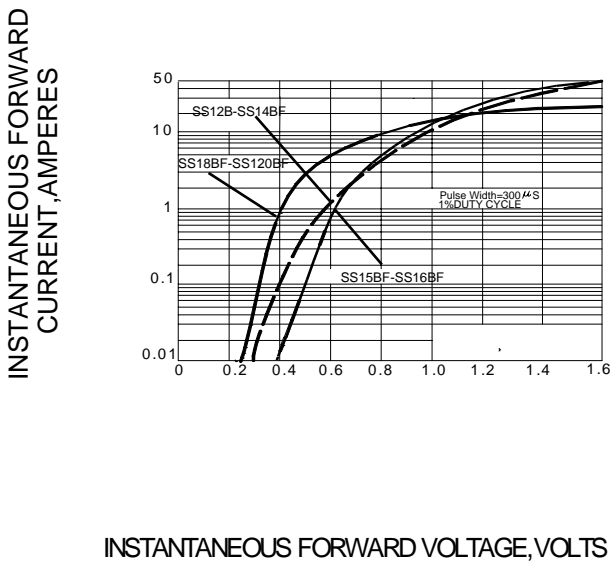
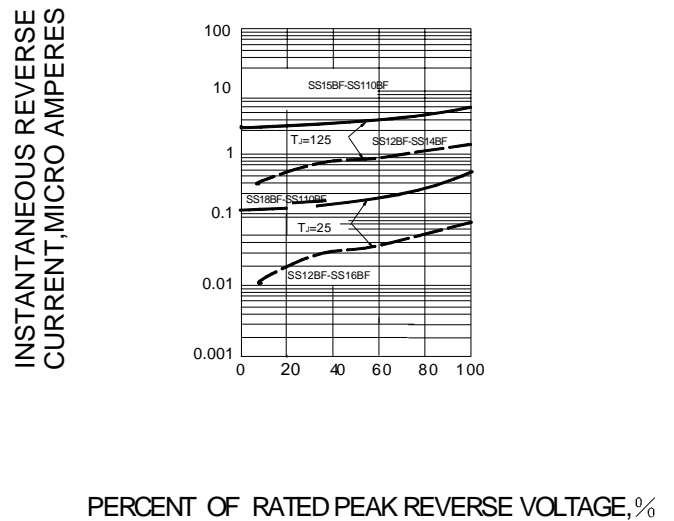


FIG.4 – TYPICAL REVERSE CHARACTERISTICS



PACKAGE	SPQ/PCS	CARTON SPQ/PCS	CARTON SIZE/CM	CARTON GW/KG	CARTON NW/KG
SMBF	5000/REEL	8000	36X35.8X36.5	12.00	11.00