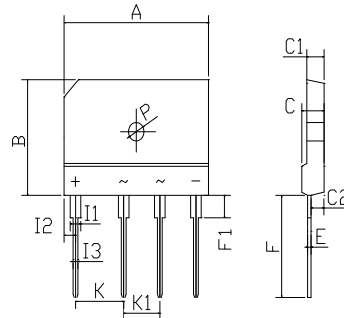


FEATURES

- Rating to 1000V PRV
- Surge overload rating to 300 Amperes peak
- Ideal for printed circuit board
- Reliable low cost construction utilizing molded plastic technique results in inexpensive product
- Lead solderable per MIL-STD-202 method 208



KBJ6		
Dim	Min	Max
A	29.80	30.20
B	19.80	20.20
C	4.45	4.75
C1	3.45	3.75
C2	2.50	2.80
E	0.60	0.80
F	17.40	18.00
F1	3.60	4.20
I1	1.95	2.25
I2	2.25	2.55
I3	0.85	1.15
K	9.70	10.30
K1	7.20	7.80
P	Ø3.20Typical	
All Dimensions in mm		

MECHANICAL DATA

- Polarity: Symbols molded on body
- Weight: 0.23 ounces, 6.6 grams
- Mounting position: Any

Maximum Ratings (@TA = 25°C unless otherwise specified)

Characteristic	Symbol	KBJ20A	KBJ20B	KBJ20D	KBJ20G	KBJ20J	KBJ20K	KBJ20M	UNITS
Maximum recurrent peak reverse voltage	V_{RRM}	50	100	200	400	600	800	1000	V
Maximum RMS voltage	V_{RMS}	35	70	140	280	420	560	700	V
Maximum DC blocking voltage	V_{DC}	50	100	200	400	600	800	1000	V
Maximum average forward Output current @TA=25°C	$I_{F(AV)}$	20.0							A
Peak forward surge current 8.3ms single half-sine-wave superimposed on rated load	I_{FSM}	300.0							A
I ² t Rating for fusing @Tj=25°C	I ² t	373							A ² S

Thermal Characteristics

Characteristic	Symbol	KBJ20A	KBJ20B	KBJ20D	KBJ20G	KBJ20J	KBJ20K	KBJ20M	UNITS
Typical junction capacitance per element	C_J	94							p F
Typical thermal resistance	$R_{\theta JA}$ $R_{\theta JC}$	22 1.2							°C/W
Operating junction temperature range	T_J	- 55 ---- + 150							°C
Storage temperature range	T_{STG}	- 55 ---- + 150							°C

Electrical Characteristics (@TA = 25°C unless otherwise specified)

Characteristic	Symbol	KBJ20A	KBJ20B	KBJ20D	KBJ20G	KBJ20J	KBJ20K	KBJ20M	UNITS
Maximum instantaneous forward voltage @10.0A @20.0A	V_F	1.0 1.1							V
Maximum reverse current @TA=25 °C at rated DC blocking voltage @TA=100°C	I_R	5.0 0.5							μ A mA



FIG.1 – PEAK FORWARD SURGE CURRENT

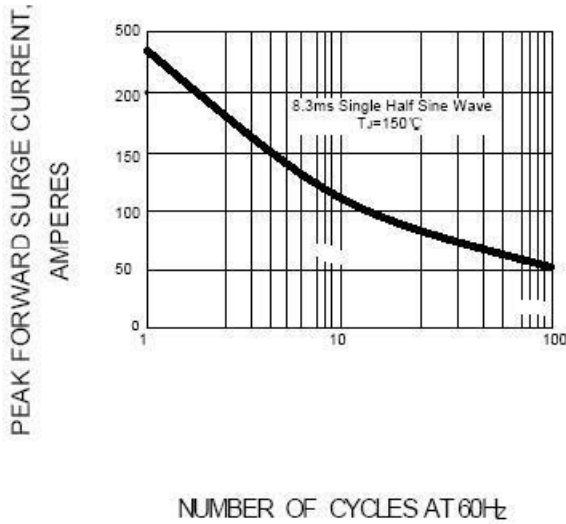


FIG.2 – FORWARD DERATING CURVE

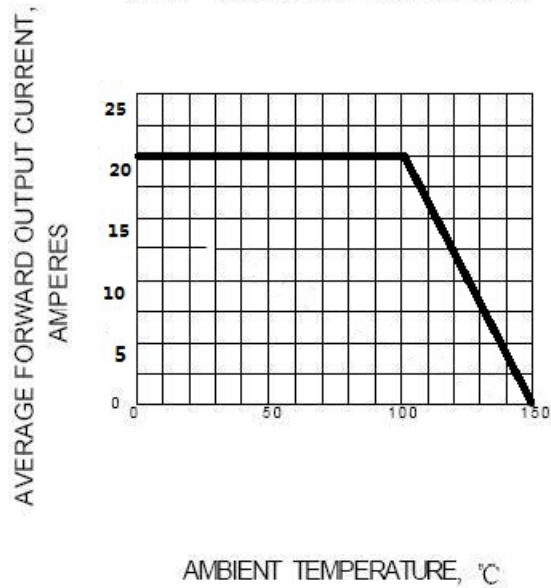


FIG.3 – TYPICAL FORWARD CHARACTERISTIC

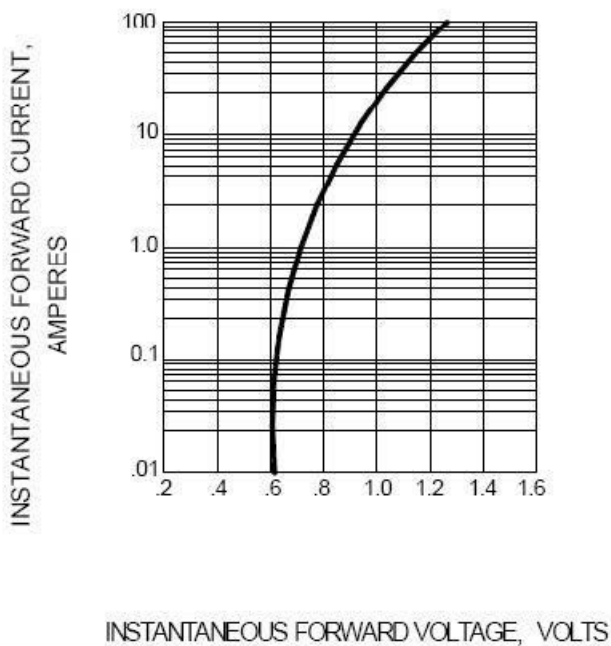
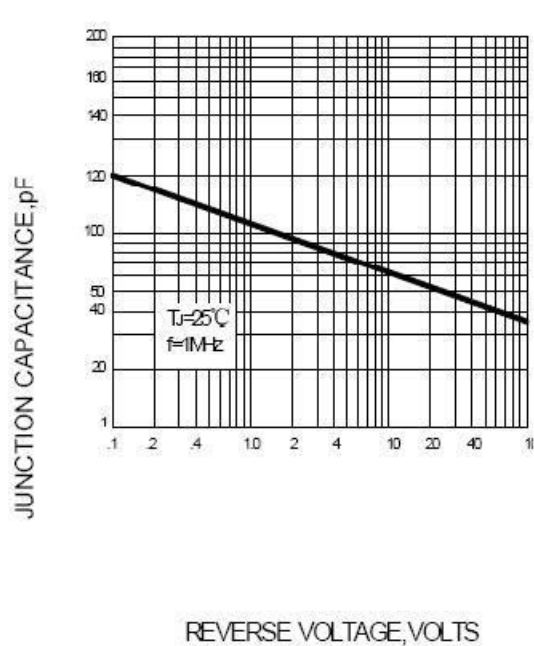


FIG.4 – TYPICAL JUNCTION CAPACITANCE



Device	Package	Shipping
KBJ20A-KBJ20M	KBJ6	250 Units/Box