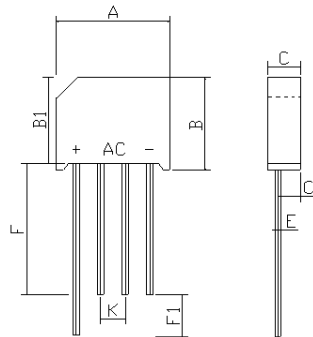




VOLTAGE RANGE: 50 --- 1000 V
FORWARD CURRENT: 4.0 A

FEATURES

- Rating to 1000V PRV
- Surge overload rating to 150 Amperes peak
- Ideal for printed circuit board
- Reliable low cost construction utilizing molded plastic technique results in inexpensive product
- Lead solderable per MIL-STD-202 method 208



KBL		
Dim	Min	Max
A	18.85	19.25
B	15.70	16.10
B1	14.65	15.05
C	5.90	6.30
C1	3.95	4.25
E	Ø1.20	Ø1.40
F	19.00min	
F1	4.00min	
K	4.70	5.30
All Dimensions in mm		

Maximum Ratings (@T_A = 25°C unless otherwise specified)

Characteristic	Symbol	KBL 005	KBL 01	KBL 02	KBL 03	KBL 04	KBL 06	KBL 08	KBL 10	UNITS
Maximum recurrent peak reverse voltage	V _{RRM}	50	100	200	300	400	600	800	1000	V
Maximum RMS voltage	V _{RMS}	35	70	140	210	280	420	560	700	V
Maximum DC blocking voltage	V _{DC}	50	100	200	300	400	600	800	1000	V
Maximum average forward Output current @T _A =50°C	I _{F(AV)}	4.0								A
Peak forward surge current 8.3ms single half-sine-wave superimposed on rated load	I _{FSM}	200								A
I ² t Rating for fusing @T _j =25°C	I ² t	93								A ² S

Thermal Characteristics

Characteristic	Symbol	KBL 005	KBL 01	KBL 02	KBL 03	KBL 04	KBL 06	KBL 08	KBL 10	UNITS
Typical thermal resistance	R _{θJA} R _{θJC} R _{θJL}	19 0.8 2.4								°C/W
Operating junction temperature range	T _J	- 55 ---- + 150								°C
Storage temperature range	T _{STG}	- 55 ---- + 150								°C

Electrical Characteristics (@T_A = 25°C unless otherwise specified)

Characteristic	Symbol	KBL 005	KBL 01	KBL 02	KBL 03	KBL 04	KBL 06	KBL 08	KBL 10	UNITS
Maximum instantaneous forward voltage @2.0A @4.0A	V _F	1.0 1.1								V
Maximum reverse current @T _A =25°C at rated DC blocking voltage @T _A =100°C	I _R	10 1.0								μ A m A



RATINGS AND CHARACTERISTICS CURVES

(TA=25°C unless otherwise noted)

FIG. 1 FORWARD CURRENT DERATING CURVE

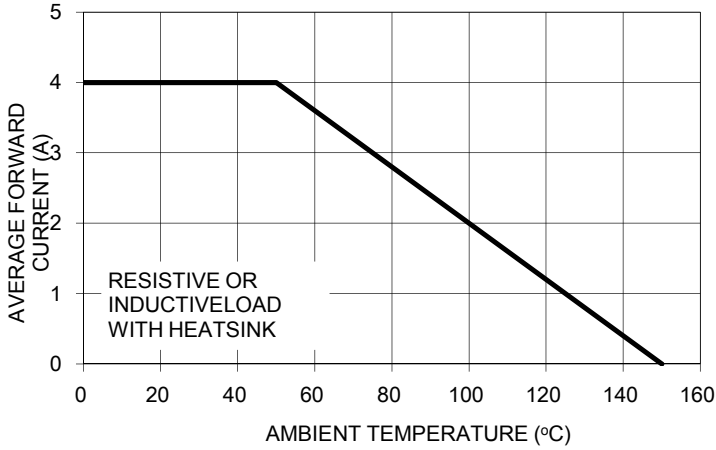


FIG. 2 TYPICAL REVERSE CHARACTERISTICS

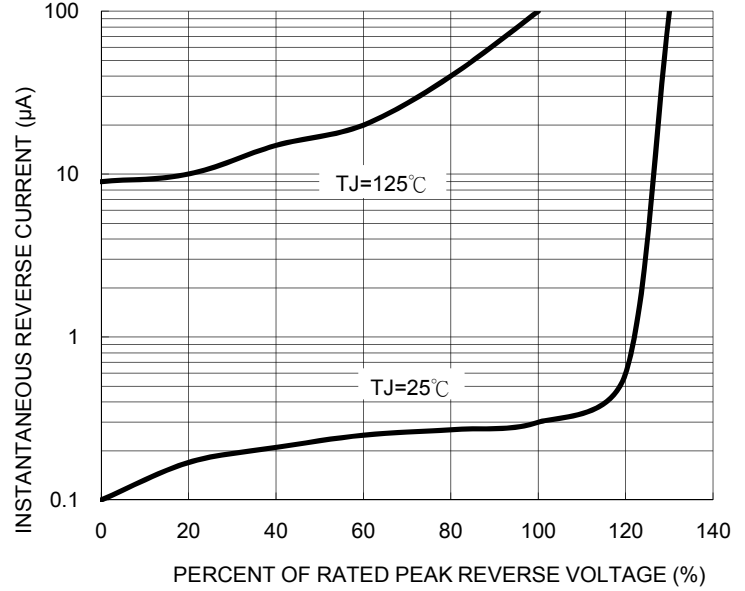


FIG. 3 MAXIMUM NON-REPETITIVE FORWARD SURGE CURRENT

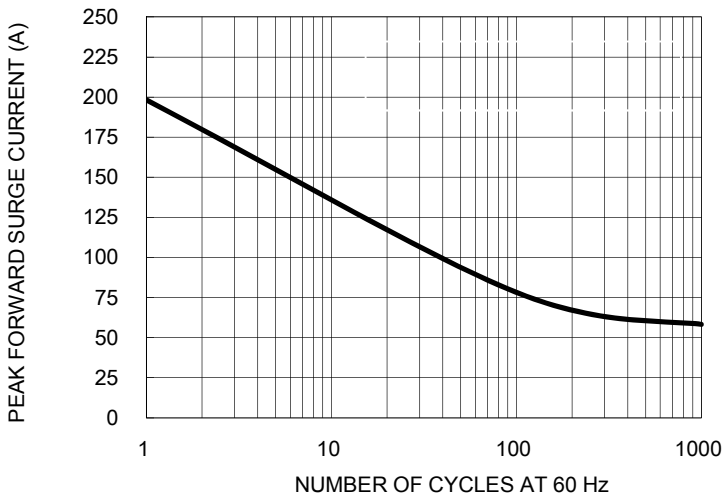
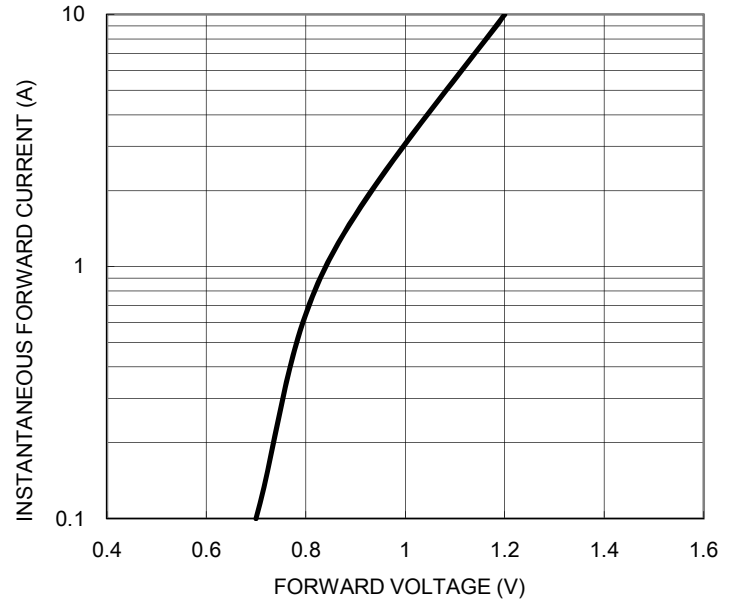


FIG. 4 TYPICAL FORWARD CHARACTERISTICS



Device	Package	Shipping
KBL005--KBL10	KBL	500 Units/Box