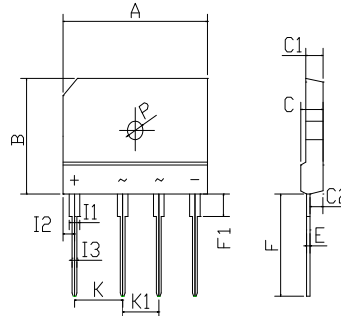


FEATURES

- Rating to 1000V PRV
- Surge overload rating to 300 Amperes peak
- Ideal for printed circuit board
- Reliable low cost construction utilizing molded plastic technique results in inexpensive product
- Lead solderable per MIL-STD-202 method 208

MECHANICAL DATA

- Polarity: Symbols molded on body
- Weight: 0.23 ounces, 6.6 grams
- Mounting position: Any



KBJ6		
Dim	Min	Max
A	29.80	30.20
B	19.80	20.20
C	4.45	4.75
C1	3.45	3.75
C2	2.50	2.80
E	0.60	0.80
F	17.40	18.00
F1	3.60	4.20
I1	1.95	2.25
I2	2.25	2.55
I3	0.85	1.15
K	9.70	10.30
K1	7.20	7.80
P	Ø3.20 Typical	
All Dimensions in mm		

Maximum Ratings (@T_A = 25°C unless otherwise specified)

Characteristic	Symbol	RBV	RBV	RBV	RBV	RBV	RBV	RBV	UNITS
		25005	2501	2502	2504	2506	2508	2510	
Maximum recurrent peak reverse voltage	V _{RRM}	50	100	200	400	600	800	1000	V
Maximum RMS voltage	V _{RMS}	35	70	140	280	420	560	700	V
Maximum DC blocking voltage	V _{DC}	50	100	200	400	600	800	1000	V
Maximum average forward Output current @T _A =25°C	I _{F(AV)}	25							A
Peak forward surge current 8.3ms single half-sine-wave superimposed on rated load	I _{FSM}	300							A
I ² t Rating for fusing @T _j =25°C	I ² t	373.5							A ² S

Thermal Characteristics

Characteristic	Symbol	RBV	RBV	RBV	RBV	RBV	RBV	RBV	UNITS
		25005	2501	2502	2504	2506	2508	2510	
Typical junction capacitance per element	C _J	85							pF
Typical thermal resistance	R _{θJA}	22							°C/W
	R _{θJC}	1.0							
Operating junction temperature range	T _J	- 55 ---- + 150							°C
Storage temperature range	T _{STG}	- 55 ---- + 150							°C

Electrical Characteristics (@T_A = 25°C unless otherwise specified)

Characteristic	Symbol	RBV	RBV	RBV	RBV	RBV	RBV	RBV	UNITS
		25005	2501	2502	2504	2506	2508	2510	
Maximum instantaneous forward voltage @12.5A @25A	V _F	1.0							V
		1.1							
Maximum reverse current @T _A =25°C at rated DC blocking voltage @T _A =100°C	I _R	5.0							μA
		0.5							



FIG.1 -- PEAK FORWARD SURGE CURRENT

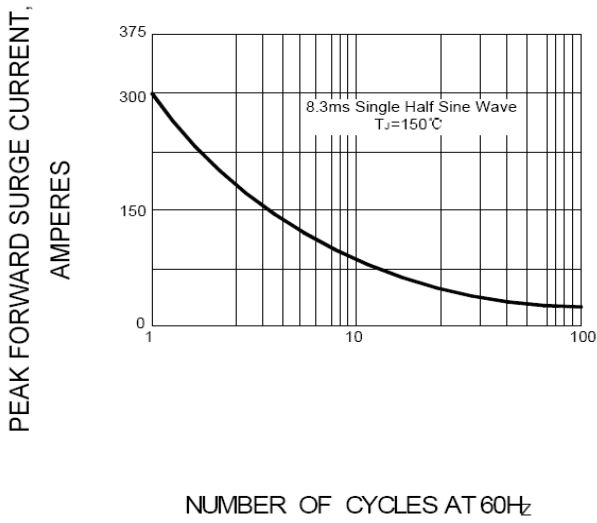


FIG.2 -- FORWARD DERATING CURVE

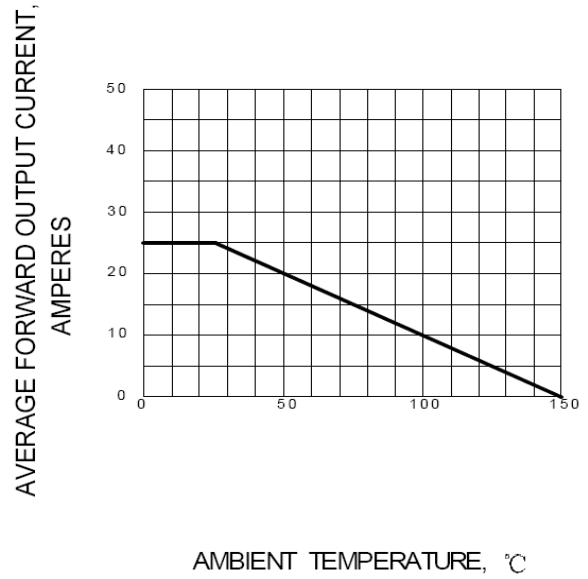


FIG.3 -- TYPICAL FORWARD CHARACTERISTIC

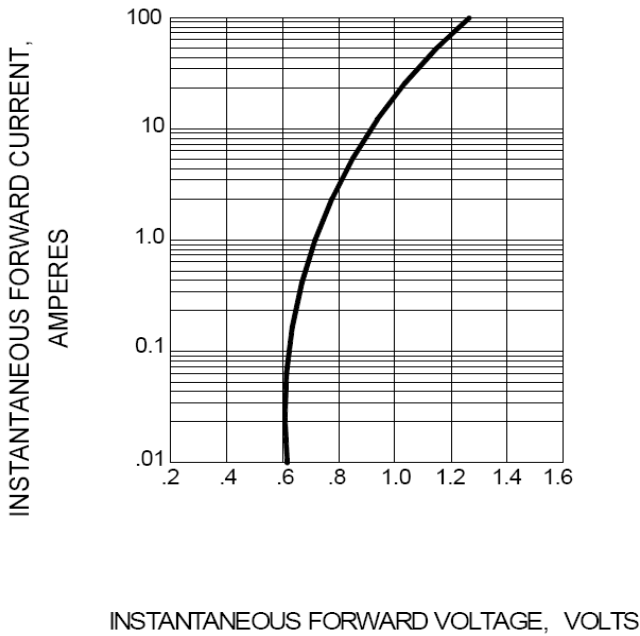
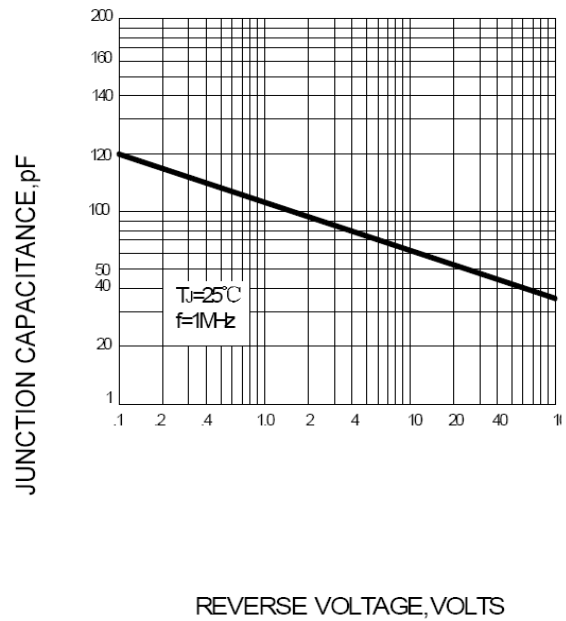


FIG.4 -- TYPICAL JUNCTION CAPACITANCE



Device	Package	Shipping
RBV25005-RBV2510	KBJ6	250 Units/Box