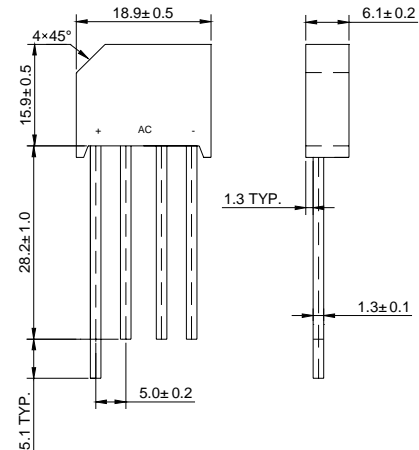


VOLTAGE RANGE: 50 --- 1000 V
CURRENT: 6.0 A

KBL

Features

- ◇ Rating to 1000V PRV
- ◇ Surge overload rating to 150 Amperes peak
- ◇ Ideal for printed circuit board
- ◇ Reliable low cost construction utilizing molded plastic technique results in inexpensive product
- ◇ Lead solderable per MIL-STD-202 method 208



Dimensions in millimeters

MAXIMUM RATINGS AND ELECTRICAL CHARACTERISTICS

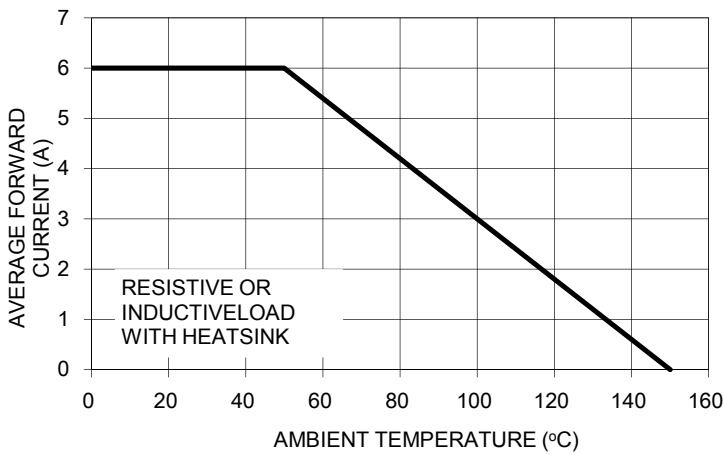
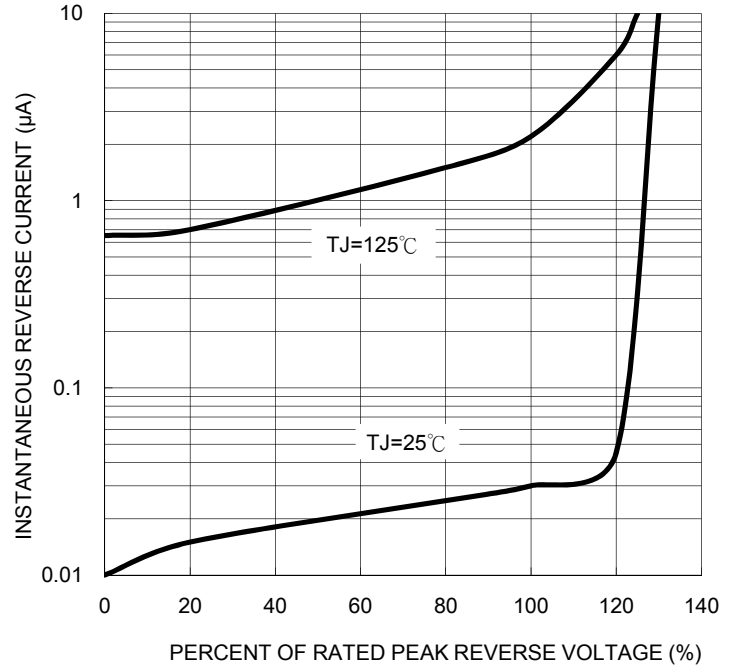
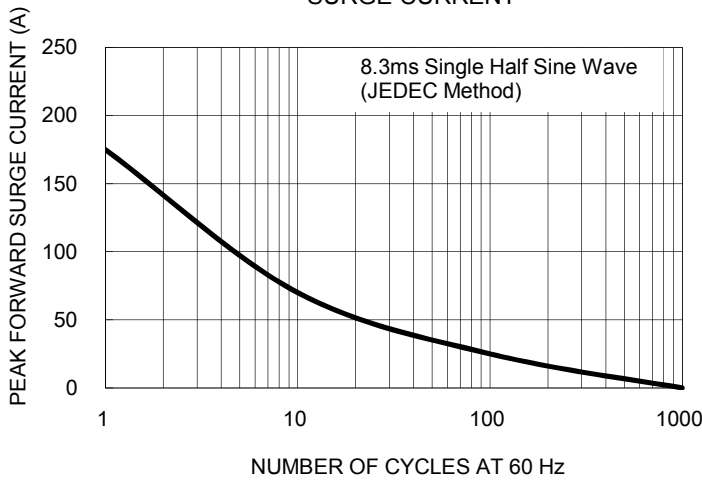
Ratings at 25°C ambient temperature unless otherwise specified.

Single phase, half wave, 60 Hz, resistive or inductive load. For capacitive load, derate by 20%.

		RS601L	RS602L	RS603L	RS604L	RS605L	RS606L	RS607L	UNITS
Maximum recurrent peak reverse voltage	V_{RRM}	50	100	200	400	600	800	1000	V
Maximum RMS voltage	V_{RMS}	35	70	140	280	420	560	700	V
Maximum DC blocking voltage	V_{DC}	50	100	200	400	600	800	1000	V
Maximum average forward output current @ $T_A=25^\circ\text{C}$	$I_{F(AV)}$	6.0							A
Peak forward surge current 8.3ms single half-sine-wave superimposed on rated load	I_{FSM}	175							A
I^2t Rating for fusing @ $T_j=25^\circ\text{C}$	I^2t	127							A^2S
Typical Junction Capacitance	C_J	400							pF
Maximum instantaneous forward voltage @ 3.0 A	V_F	1.0							V
Maximum reverse current @ $T_A=25^\circ\text{C}$ at rated DC blocking voltage @ $T_A=100^\circ\text{C}$	I_R	10.0 1.0							μA mA
Typical thermal resistance per leg	$R_{\theta JA}$ $R_{\theta JC}$	13 7.5							$^\circ\text{C}/\text{W}$
Operating junction temperature range	T_J	- 55 ---- + 150							$^\circ\text{C}$
Storage temperature range	T_{STG}	- 55 ---- + 150							$^\circ\text{C}$

Ratings AND Characteristic Curves

(TA=25°C unless otherwise noted)

FIG. 1 FORWARD CURRENT DERATING CURVE

FIG. 2 TYPICAL REVERSE CHARACTERISTICS

FIG. 3 MAXIMUM NON-REPETITIVE FORWARD SURGE CURRENT

FIG. 4 TYPICAL FORWARD CHARACTERISTICS
