



Reverse Voltage: 60Volts

Forward Current:20.0Amperes

### Features

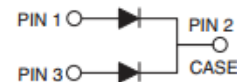
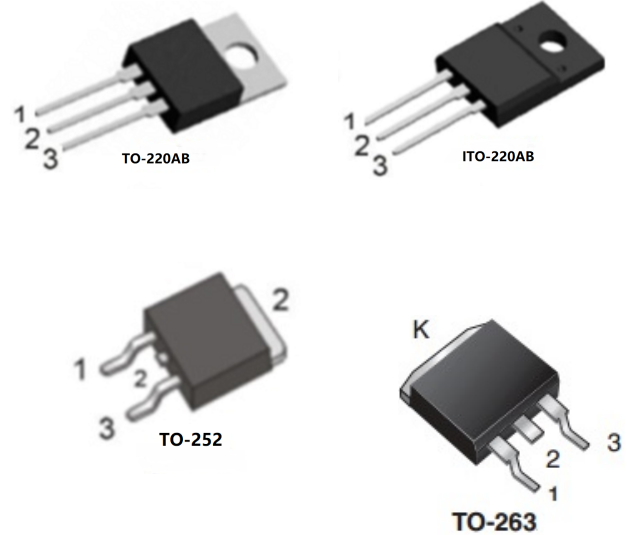
- ◇ Trench Schottky Barrier technology
- ◇ Ultra low forward voltage drop
- ◇ Low power loss,high efficiency
- ◇ Excellent low reverse leakages
- ◇ Excellent high temperature stability
- ◇ High current capability
- ◇ High forward surge capability
- ◇ Lead free finish ,Rohs and WEEE compliant.

### Applications

- ◇ Switching diode
- ◇ Switching mode power supply(SMPS)
- ◇ DC/DC converter
- ◇ LED lighting
- ◇ Adapter for notebook and game station

### Mechanical Data

- ◇ Moisture Sensitivity: MSL Level 1,per J-STD-020
- ◇ Terminals:Matte Tin Finish.  
Solderable per MIL-STD-202 Method 208
- ◇ Case Material: Molded Plastic;  
Molding compound meet UL Flammability ClassificationRating 94V-0
- ◇ Case:JEDEC TO-220AB,ITO-220AB,TO-252,TO-263



### MAXIMUM RATING

Ratings at 25°C ambient temperature unless otherwise specified.

PARAMETER	SYMBOL	VALUE	UNITS	
Maximum repetitive peak reverse voltage	$V_{RRM}$	60	V	
Maximum RMS voltage	$V_{RWS}$	42	V	
Maximum DC blocking voltage	$V_{DC}$	60	V	
Maximum average forward rectified current	$I_{F(AV)}$	20	A	
per device		10		
Maximum average forward rectified current	Per diode	10	A	
Peak forward surge current 8.3ms half-sine-wave	$I_{FSM}$	200	A	
$I^2t$ Rating for Fusing( $t < 8.3ms$ )	$I^2t$	166	$A^2s$	
Typical Thermal Resistance	TO-220AB	$R_{\theta JA}$	11.4	$^{\circ}C/W$
		$R_{\theta JC}$	2.7	$^{\circ}C/W$
		$R_{\theta JL}$	3.0	$^{\circ}C/W$
	ITO-220AB	$R_{\theta JC}$	4.5	$^{\circ}C/W$
	TO-252	$R_{\theta JC}$	2.5	$^{\circ}C/W$
	TO-263	$R_{\theta JC}$	2.5	$^{\circ}C/W$
Typical junction capacitance: $V_R=4.0v, f=1MHz$	$C_J$	680	pF	
Junction temperature	$T_J$	150	$^{\circ}C$	
Storage temperature range	$T_{STG}$	-55~150	$^{\circ}C$	



### ELELTRICAL CHARACTERISTICS

PARAMETER	TEST CONDITIONS	SYMBOL	VALUE			UNITS	
			Min	Typ	Max		
Breakdown voltage per diode(min)	IR=0.5mA	VB <sub>R</sub>	100	-	-	V	
Instantaneous forward voltage	IF=10A per leg	TA= 25°C	VF	-	0.58	0.62	V
		TA= 100°C	VF	-	0.55	0.61	V
		TA= 125°C	VF	-	0.54	0.60	V
	IF=5A per leg	TA= 25°C	VF	-	0.49	-	V
		TA= 100°C	VF	-	0.43	-	V
		TA= 125°C	VF	-	0.41	-	V
	IF=3A per leg	TA= 25°C	VF	-	0.46	-	V
		TA= 100°C	VF	-	0.42	-	V
		TA= 125°C	VF	-	0.40	-	V
Maximum DC reverse current @Rated DC Blocking Vlotage	TA= 25°C	IR	-	10.0	50	μ A	
	TA=125°C	IR	-	-	20000	μ A	

### ORDERING PACK INFORMATION

Part No.	Package	Pcking	Quatity(pcs/box)	Quatity(pcs/carton)
MBR2060LCT	TO-220	50pcs/Tube	1000	5000
MBRF2060LCT	ITO-220	50pcs/Tube	1000	5000
MBRD2060LCT	TO-252	80pcs/Tube	4000	40000
MBRD2060LCT	TO-252	2500pcs/Reel	2500	12500/25000
MBRB2060LCT	TO-263	50pcs/Tube	1000	5000/10000
MBRB2060LCT	TO-263	800pcs/Reel	800	4000/8000



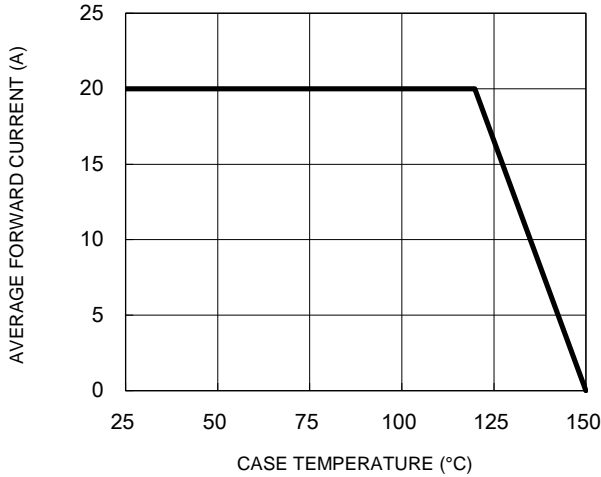
**MBR2060LCT/MBRF2060LCT  
MBRD2060LCT/MBRB2060LCT**  
Low VF Trench Schottky Rectifiers



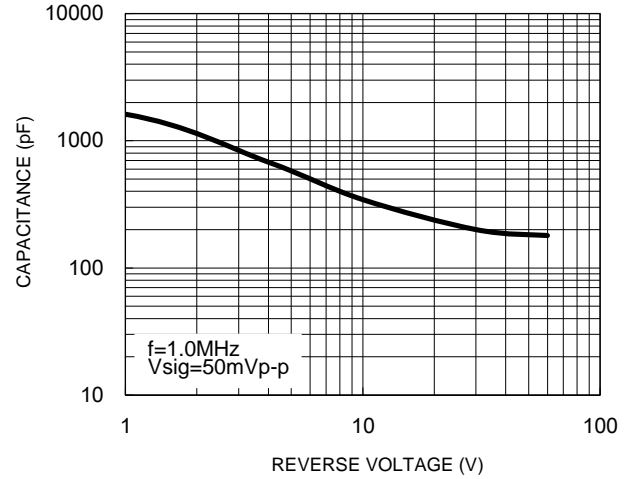
**RATING AND CHARACTERISTICS CURVES**

( $T_A = 25^\circ\text{C}$  unless otherwise noted)

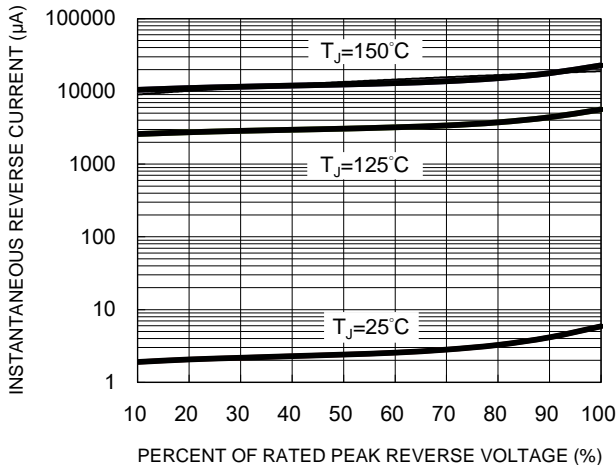
**Fig.1 Forward Current Derating Curve**



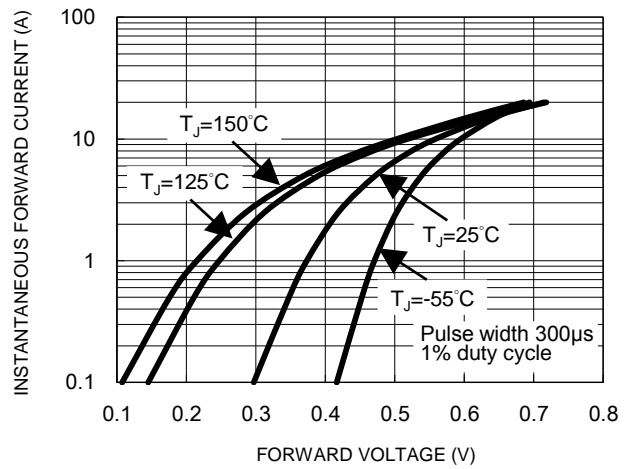
**Fig.2 Typical Junction Capacitance**



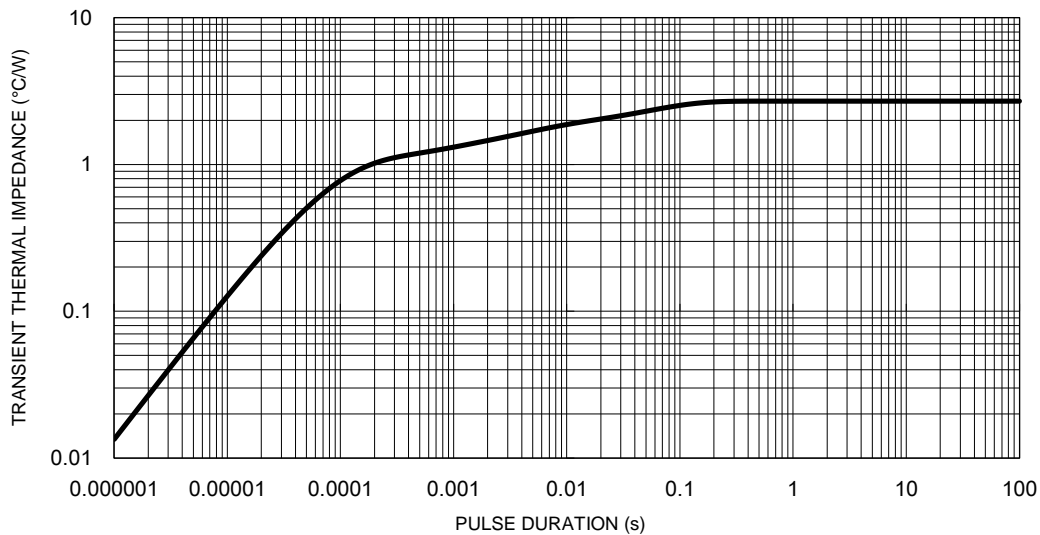
**Fig.3 Typical Reverse Characteristics**



**Fig.4 Typical Forward Characteristics**



**Fig.5 Typical Transient Thermal Impedance**





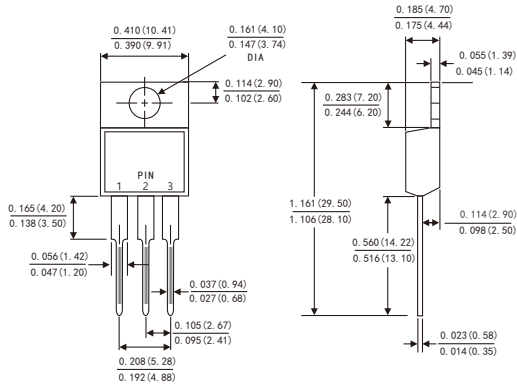
**MBR2060LCT/MBRF2060LCT**  
**MBRD2060LCT/MBRB2060LCT**  
 Low VF Trench Schottky Rectifiers



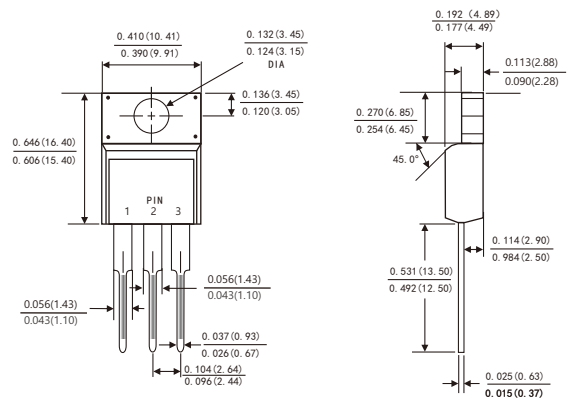
**PACKAGE OUTLINE DIMENSIONS**

Dimensions in inches and (millimeters)

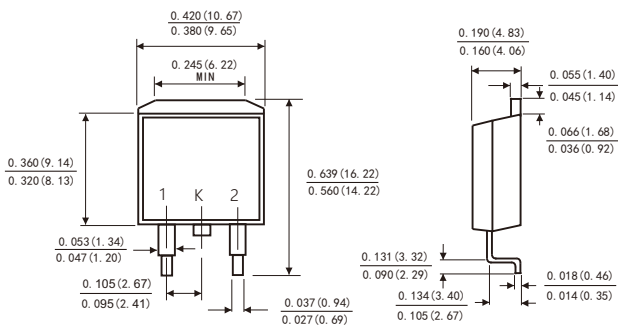
**TO-220AB**



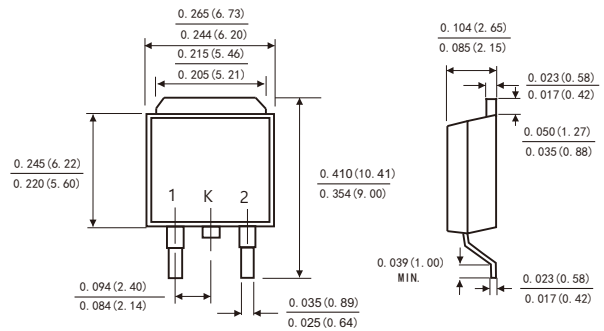
**ITO-220AB**



**TO-263**

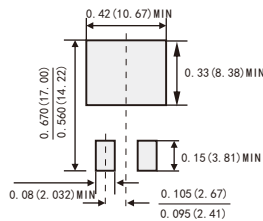


**TO-252**



**Suggested Pad Layout**

( TO-263 )



**Suggested Pad Layout**

( TO-252 )

